

EFEVRE TECH LTDTM

Your necessity, our innovation



ALL RIGHTS
RESERVED 2022

THE BASIC AMGEL MODEL

Automate Multiple Protocols

Liquid Handler X2

- 22 SBS Positions
- 4 Pipettes

Magnetic Module

- For Magnetic Bead Purifications of DNA and RNA

Temperature Module

- Temperature Range 4-95°C

Bioshake 3000-T ELM

- Temperature Range RT -99°C
- Mixing Frequency 200-3000 rpm

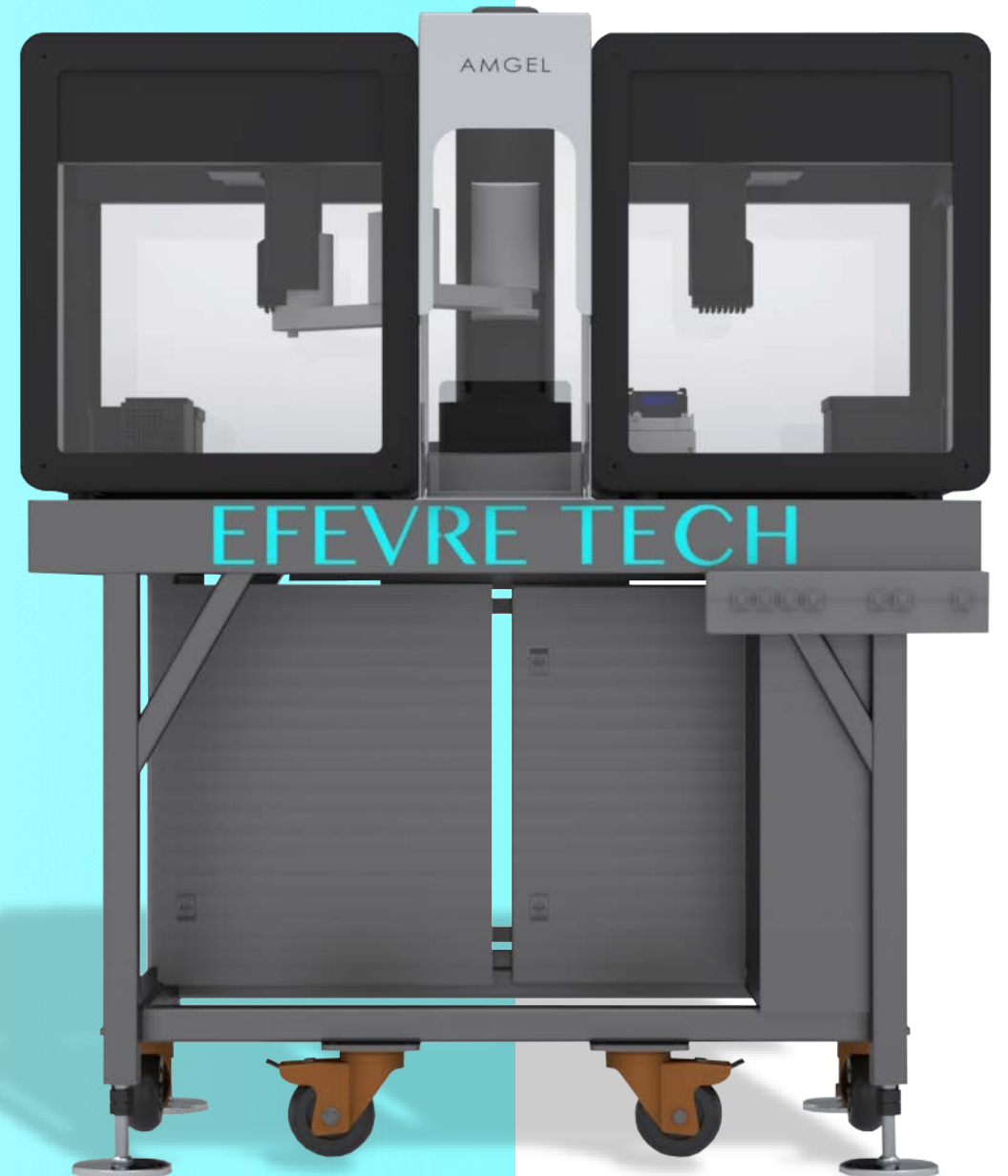
Robotic Thermocycler

Industrial Robotic Arm

Electrical Automation

HEPA Filters

UV-C Lights



THE UNDERLYING VALUE

OUR KEY

FEATURES

01

Versatility

for automation of multiple protocols

02

Compact Size

fits in a crowded lab

03

Competitive Price

compared to established brands

04

User Friendly

for initiating a process by the push of a button

05

Customizable

to fit any client's needs

06

Intuitive

ability of quick and easy use

THE LIQUID HANDLER

FOR HIGH-PRECISION PIPETTING

OpenTrons Labworks Inc



22 Positions for Microtiter Plates, Tubes, And Tips

2x Trash Bins

Calibration Block

Tip Calibration Sensors

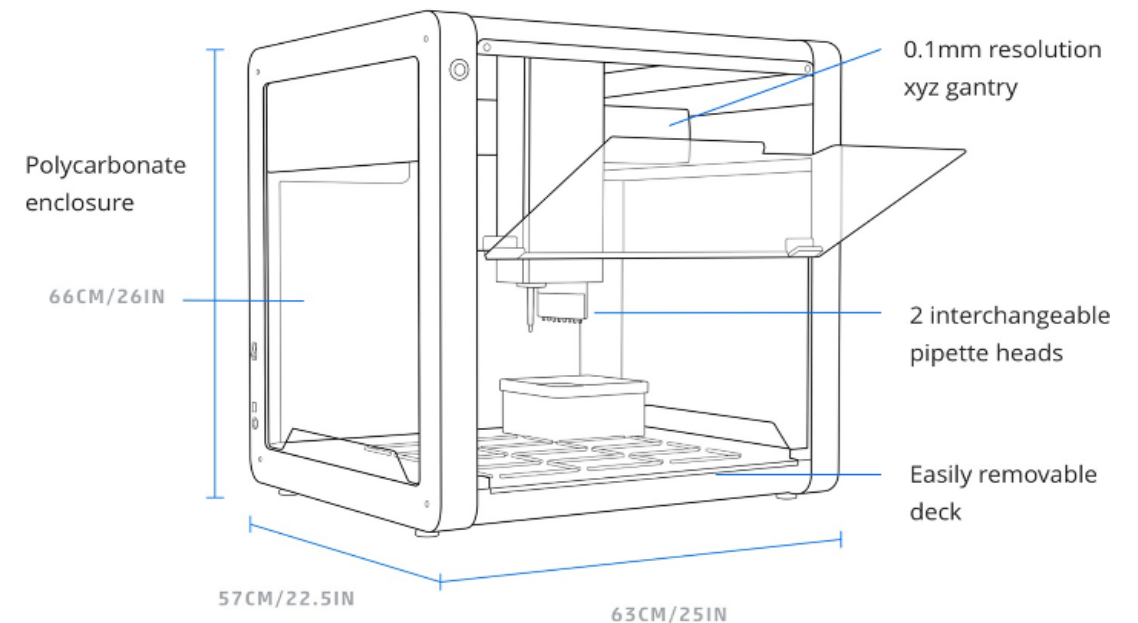
4x High-Precision Pipettes of your Choice:

➤ P20: 1-20ul

➤ P300: 20-300ul

➤ P1000: 100-1000ul

Available in Single-Channel and 8-Channel Multi Pipette



THE ROBOTIC ARM

FOR LABWARE TRANSFER

**Shenzhen Yuejiang
Technology Co., Ltd**



1x Dobot M1 Robotic Arm

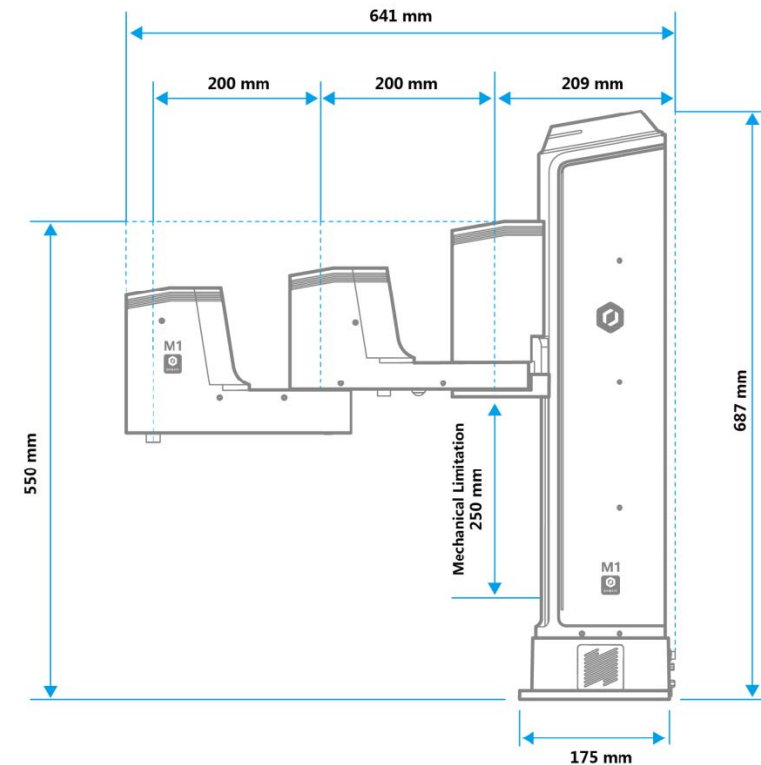
1x Gripper

1x Pump

1x Suction Cup

1x Custom Fingers for Microtiter Plate Gripper

Labware transfer to different modules, between liquid handlers and for plate stacking



THE TEMPERATURE MODULE

FOR COOLING AND HEATING OF SAMPLES/REAGENTS

OpenTrons Labworks Inc



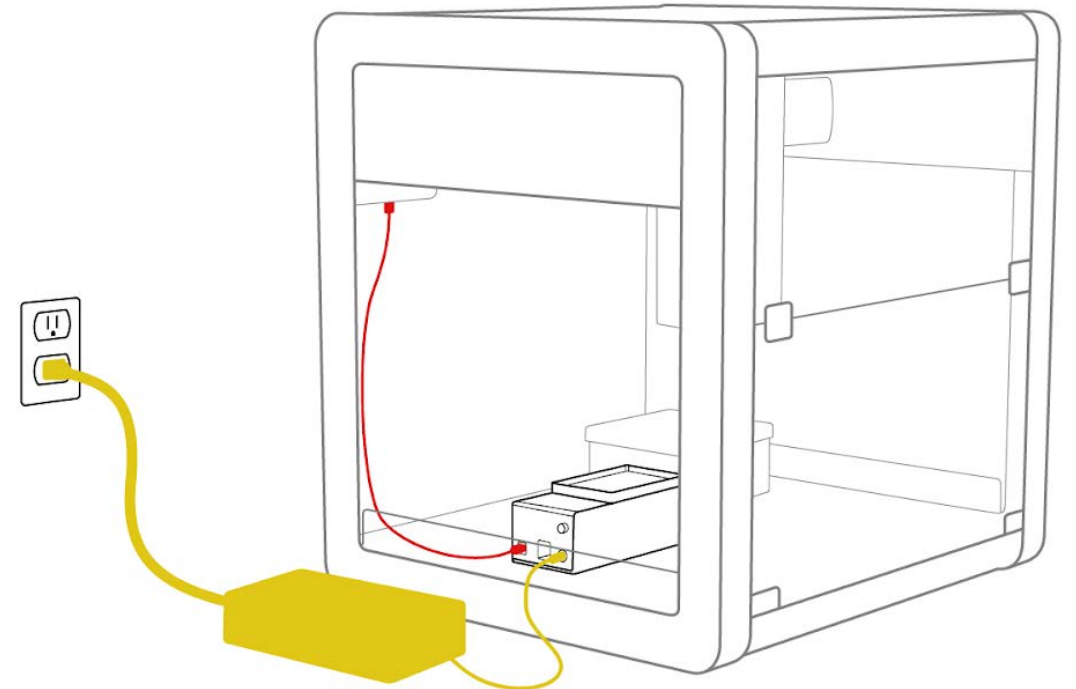
4-95 °C

1x Mounting Aluminium Block for PCR Plates

1x Mounting Aluminium Block for Flat Microtiter Plates

1x Mounting Aluminium Block for 1,5-2ml Tubes

Automatic loading of labware by AMGEL's robotic arm



THE MAGNETIC MODULE

FOR ANY MAGNETIC-BEAD BASED PROTOCOL

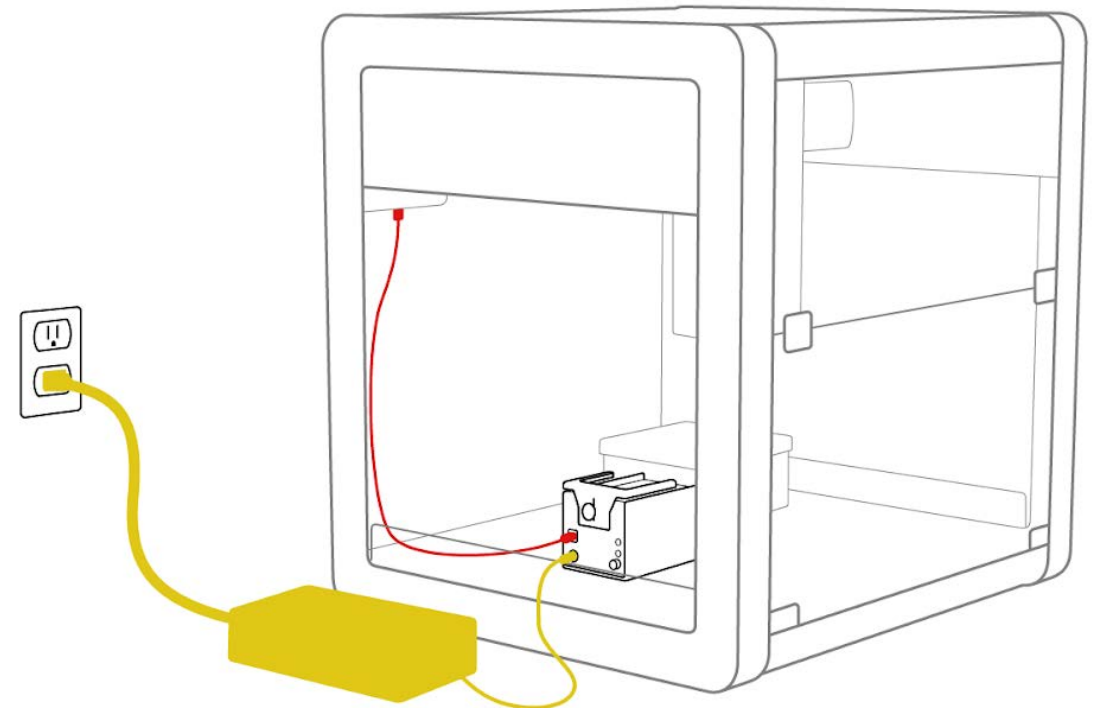
OpenTrons Labworks Inc



High-Strength N42 Neodymium Magnets

Automatic Loading of Labware by AMGEL's Robotic Arm

Compatible with standard and deep well labware from 22 mm to 44 mm, various magnetic bead products, and protocols with volumes from 10 μ L to 2 MI.



THE BIOSHAKE 3000-T ELM

FOR SHAKING AND HEATING OF SAMPLES/REAGENTS

Quantifoil Instruments



1x Mounting Aluminium Block for Microtiter Plates

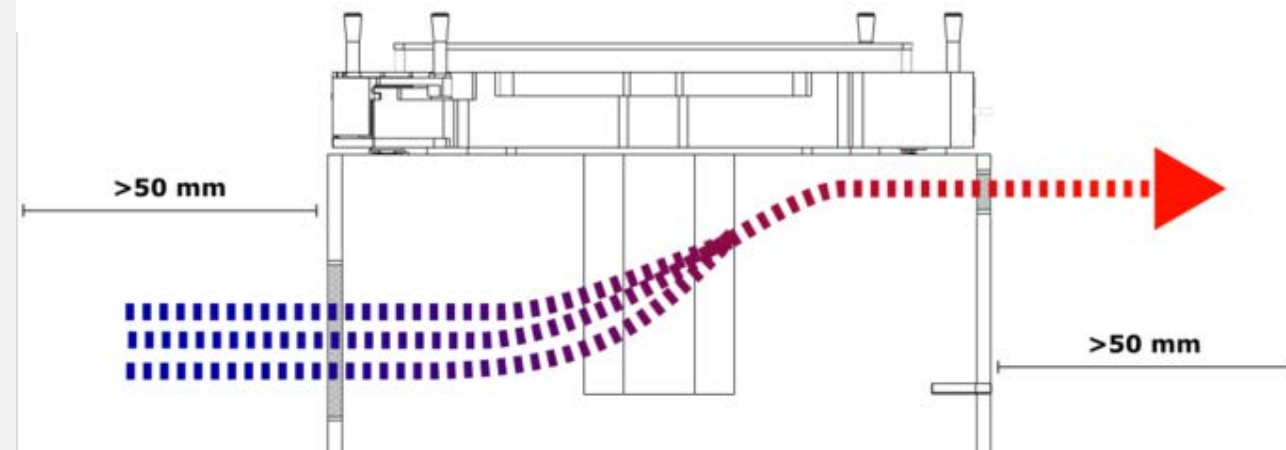
RT -99 °C

Shaking 200-3000rpm

Active Locking of Plates

Adaptor for Plates or Tubes

Automatic Loading of Labware by AMGEL's Robotic Arm



THE 4-IN-1 TUBE RACK SET

FOR HOLDING STANDARD LABORATORY TUBES

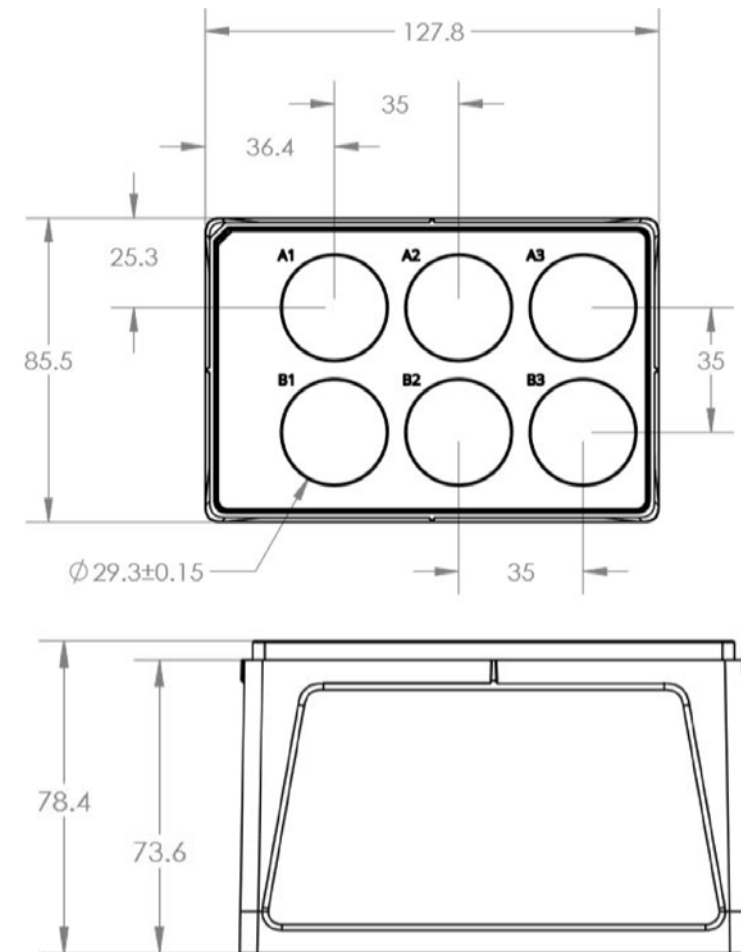
OpenTrons Labworks Inc



Each Set Includes:

- 2 Base Stands
- 4 Tube Holder Tops: 1.5ml, 2ml, 15ml + 50ml, 15ml, 50ml

The tube holder tops snap securely on the base stand, which fits directly on the deck of OT-2.



THE CUSTOMIZABLE RACKS

FOR HOLDING MICROTITER PLATES, CRYOVIAL,
GLASS VIALS AND ANY LABWARE

EFEVRE TECH LTD

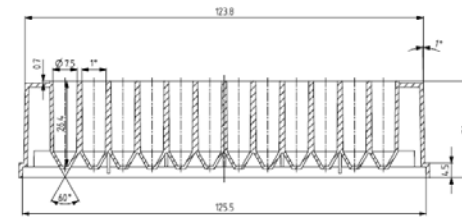


Each Rack Set is Composed of:

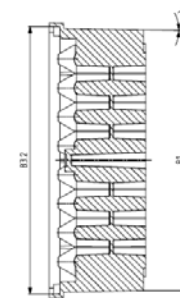
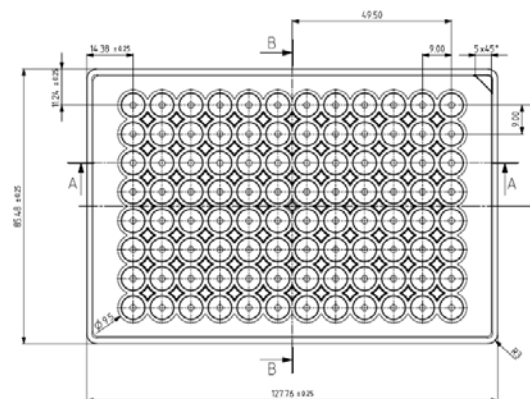
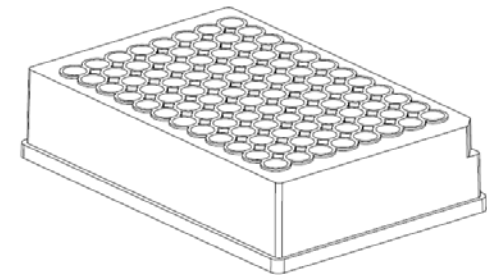
- 1 Base for Mounting on OT2 Positions
- 1 Base for Holding Labware

Custom Base Construction Depending on Customer Needs

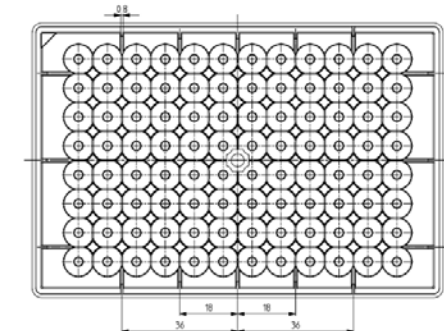
Automatic Loading of Labware by AMGEL's Robotic Arm



SECTION A-A



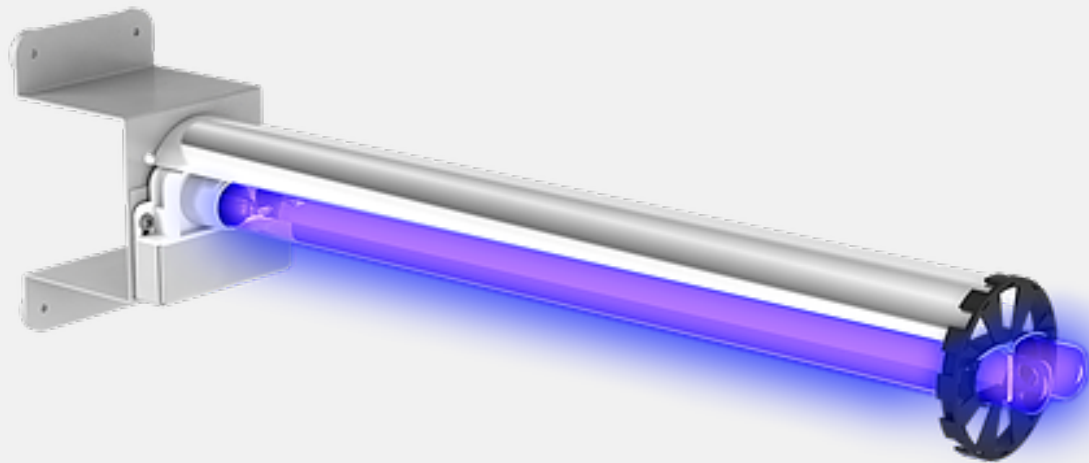
SECTION B-B



THE GERMICIDAL STRIPS

FOR STERILISATION

TECAN + EFEVRE TECH LTD

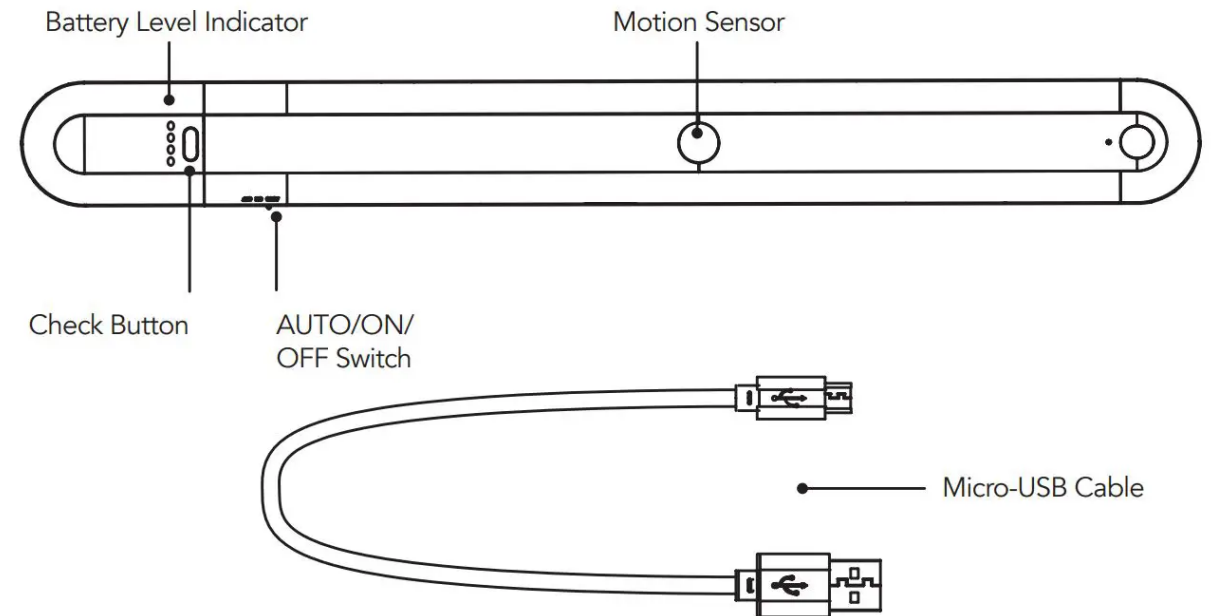


Focused Beam:

- Minimizes Plasticware Wear Inside Platform
- Less Maintenance Costs
- Minimizes Human Exposure to UV

On / Off Switch

Timer for Sterilization Cycles



THE LAPTOP, PC OR TABLET

FOR INTEGRATION

EFEVRE TECH LTD



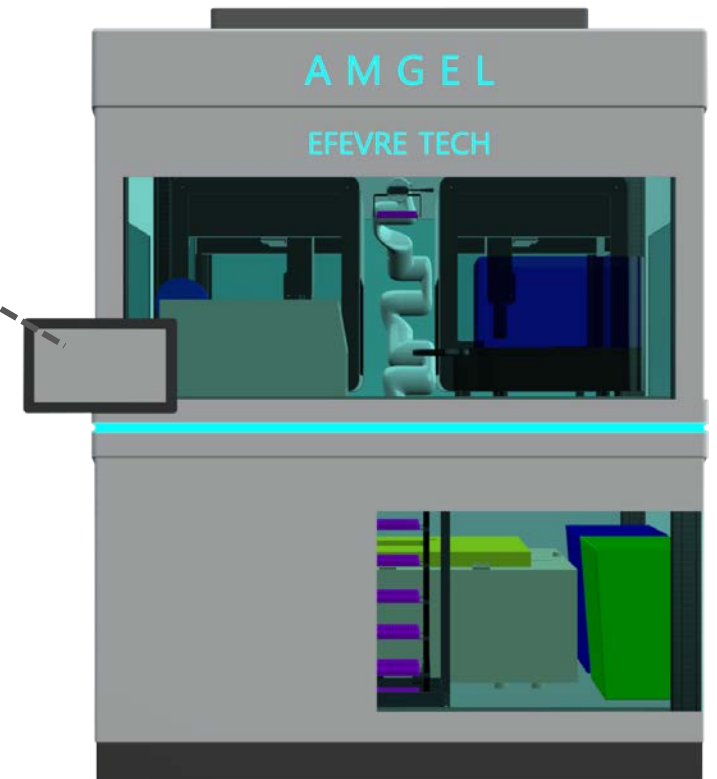
Dedicated PC for the System

Windows Operating System

Robot Operating System

Customers can use their personal computers for more than one user control.

Touch Screen



THE HIGH-END AUTOMATION

FOR POWER MANAGEMENT AND SAFETY

EFEVRE TECH LTD

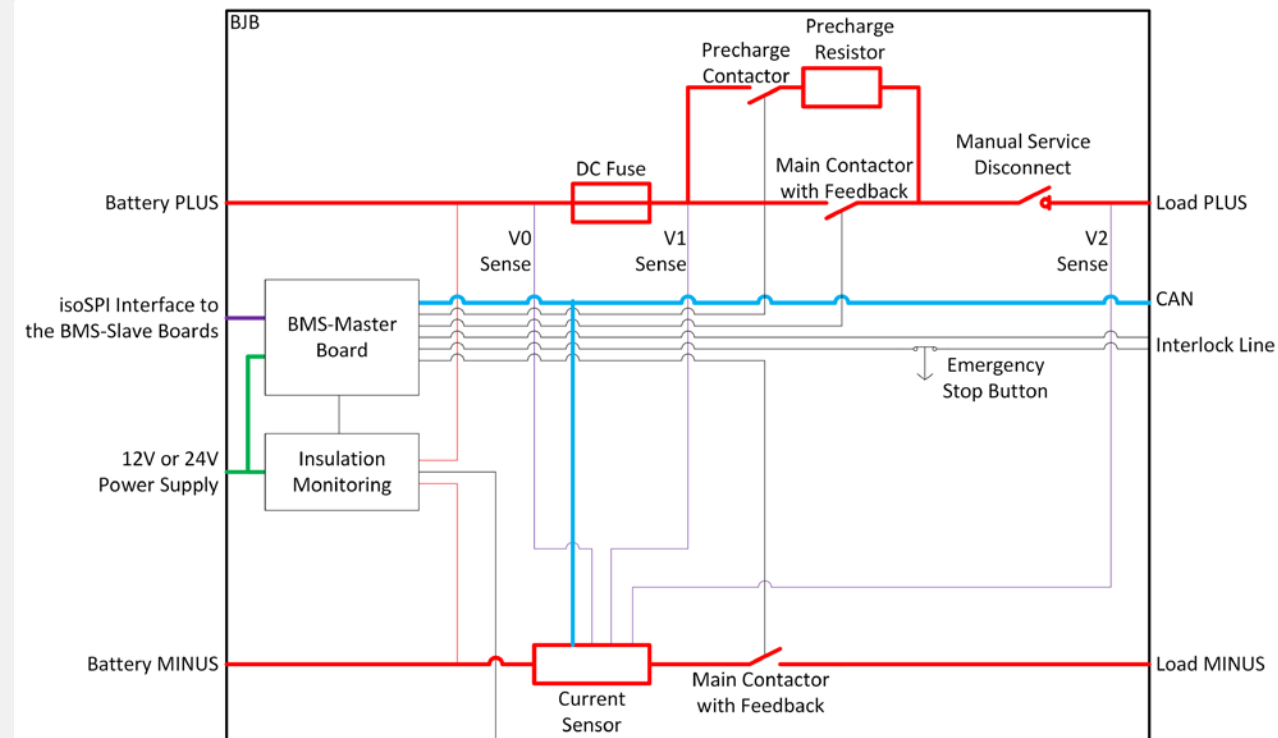
Electrical Boards

Electronics and Computers for Robotic Control

Emergency Stop System

High-End Power Supplies and Relays

Timers



THE CUSTOM BENCH

FOR DURABILITY IN LABORATORY CONDITIONS,
ANTIVIBRATION, EASY TO MOVE

EFEVRE TECH LTD



Stainless Steel (304) Stabilization Plate

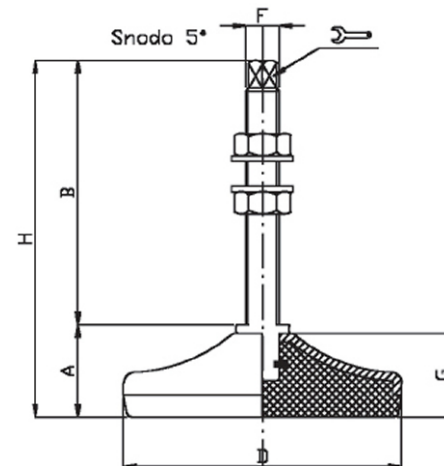
4 X Anti-Vibration - Hygienic-Grade - Adjustable Feet

4 x Heavy-Duty Wheels for Easy Relocation Inside the Lab

Enclosure of Robotic Arm for Safety

Mounting brackets and removable hatch for integration of new devices (e.g., automated centrifuge or PCR).

Custom heavy-duty bench with wheels and leveling feet.



All Threads are Standard Metric
Coarse threads as follows:

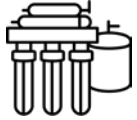
M8 - 1.25	M16 - 2.00
M10 - 1.50	M20 - 2.50
M12 - 1.75	M24 - 3.00
M14 - 2.00	M30 - 3.50

UNC, UNF, and Metric Fine threads
can be specified on all sizes.

THE INTEGRATION SERVICES

FOR CUSTOMER SUPPORT

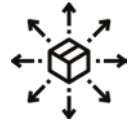
EFEVRE TECH LTD



Protocol Preparation



Testing / Validation of System Operational Capacity During Development



Delivery to Customer



Calibrations of the Requested Protocol(s) After Delivery



Training of Users



Warranty 1 Year for ALL Hardware



Detailed User Manual

THE USER FRIENDLY GRAPHICAL INTERFACE

FOR METAGENOMIC LIBRARY PREPARATION

ILLUMINA KIT

01

Easy to
Navigate

02

Tailored to
your protocols

03

Intuitive Design
making it easy to use

04

Detailed
Descriptions

05

Step-by-Step
Guidance

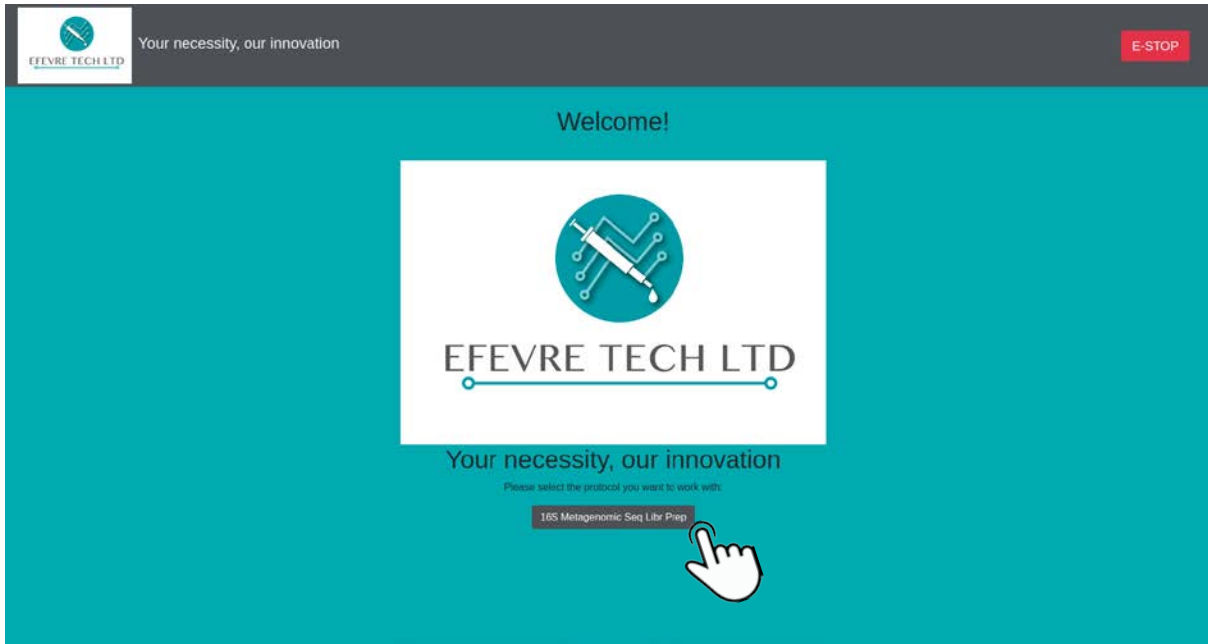
06

Maximum
Walk-Away Experience

THE SOFTWARE

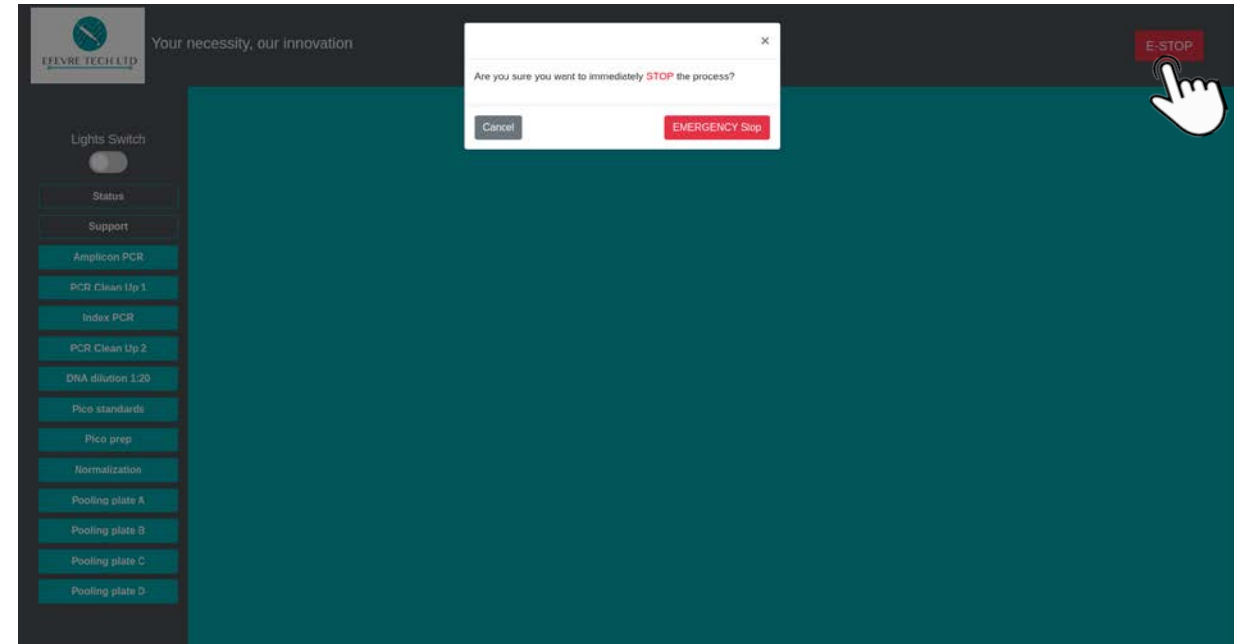
FOR METAGENOMIC LIBRARY PREPARATION

EFEVRE TECH LTD



Welcome Page

Press "16S Metagenomic Seq Libr Prep"
to start working with the software



Emergency Stop Button

Press "E-STOP" for Emergency Stop

THE SOFTWARE

FOR METAGENOMIC LIBRARY PREPARATION

EFEVRE TECH LTD

The screenshot shows the software interface with a sidebar on the left containing a list of protocols: Amplicon PCR, PCR Clean Up 1, Index PCR, PCR Clean Up 2, DNA dilution 1:20, Pico standards, Pico prep, Normalization, Pooling plate A, Pooling plate B, Pooling plate C, and Pooling plate D. A hand cursor is pointing to 'PCR Clean Up 1'. The main area displays the protocol title '2. PCR Clean Up 1 _ DECK 2' and a 'START' button. Below this, there are sections for '2.1 Description', '2.2 Source', '2.3 Consumables', and '2.4 Labware setup'. A table under '2.3 Consumables' lists items like '10 mM Tris pH8.5', 'AMPure XP beads', and 'Freshly Prepared 80% Ethanol (EtOH)'. A deck diagram shows various labware items like 'OPENTRONS 96 TIP RACK 300' and 'MAGNETIC Disengaged'. A hand cursor is pointing to the 'START' button.

Item	Quantity	Storage
10 mM Tris pH8.5	52.5 µl per sample	-15° to -25°C
AMPure XP beads	20 µl per sample	2° to 8°C
Freshly Prepared 80% Ethanol (EtOH)	400 µl per sample	

The screenshot shows a detailed procedure step. At the top, there is a diagram of a PCR plate with colored wells (pink, purple, red, red, white, white, white, white, white, white, white, white). Below the diagram, there is a list of steps: 'Position 3: Module/Labware: Bioshake module', 'Position 4: Module/Labware: Fully skirted PCR plate (Clean up 1 plate)', and 'Position 5, 6, 7, 8, 10, 11: Module/Labware: Tip rack'. A hand cursor is pointing to the 'START' button at the bottom right.

Choose a Protocol

Choose one of the protocols shown on the list on the left to check its procedure

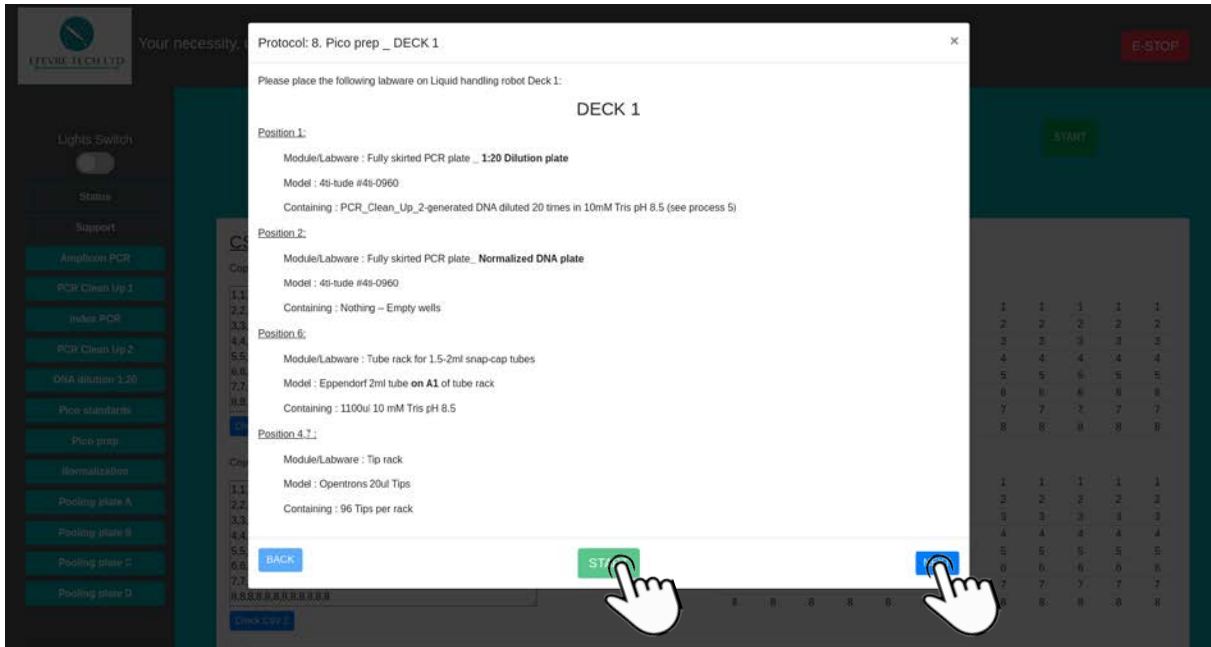
Start the Procedure

Click "NEXT" to check all the steps in the procedure and the click "START" to start the protocol procedure

THE SOFTWARE

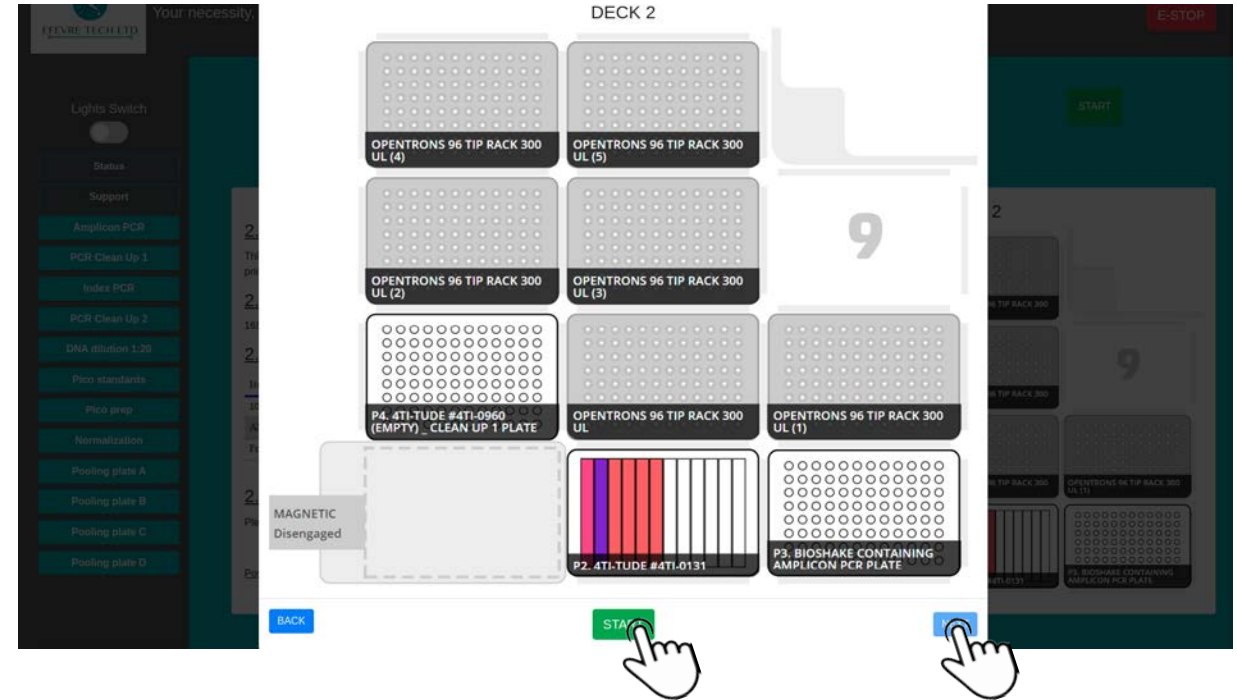
FOR METAGENOMIC LIBRARY PREPARATION

EFEVRE TECH LTD



Check DECK 1

Check all the positions on deck 1



Check DECK 2

Check all the positions on deck 2



EFEVRE TECH LTD™
Your necessity, our innovation

FIND US AT

 104 Kyklikei Leoforos
6056 Larnaca, Cyprus

 www.efevre.com

 +357 24 366 277

 info@efevretech.com