

EFEVRE TECH LTD™

Your necessity, our innovation

# THE BASIC AMGEL MODEL

## Automate Multiple Protocols

### Liquid Handler X2

- 22 SBS Positions
- 4 Pipettes

### Magnetic Module

- For Magnetic Bead Purifications of DNA and RNA

### Temperature Module

- Temperature Range 4-95°C

### Bioshake 3000-T ELM

- Temperature Range RT -99°C
- Mixing Frequency 200-3000 rpm

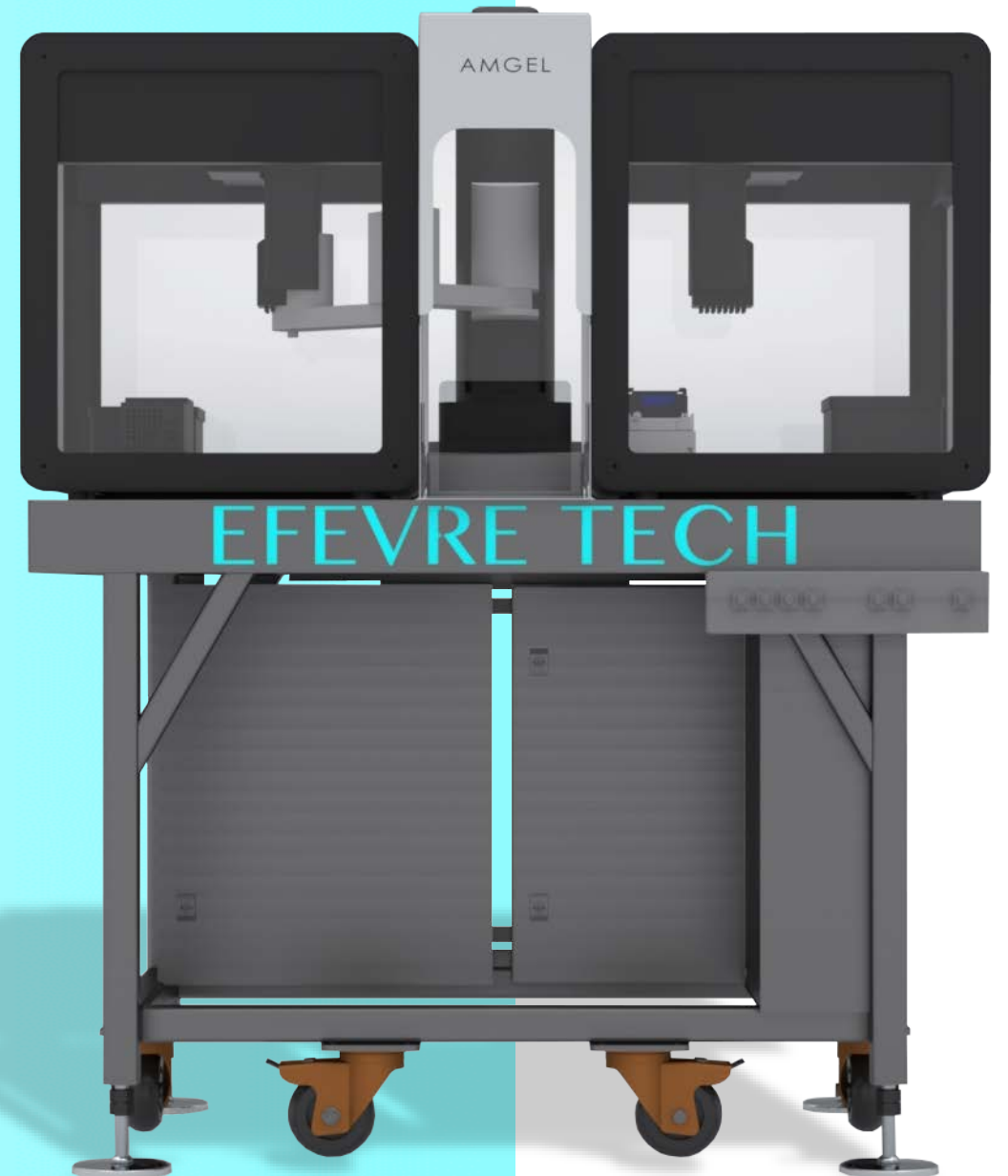
### Robotic Thermocycler

### Industrial Robotic Arm

### Electrical Automation

### HEPA Filters

### UV-C Lights



# THE UNDERLYING VALUE

---

OUR KEY

## FEATURES

**01**

### Versatility

for automation of multiple protocols

**02**

### Compact Size

fits in a crowded lab

**03**

### Competitive Price

compared to established brands

**04**

### User Friendly

for initiating a process by the push of a button

**05**

### Customizable

to fit any client's needs

**06**

### Intuitive

ability of quick and easy use

# THE LIQUID HANDLER

FOR HIGH-PRECISION PIPETTING

## OpenTrons Labworks Inc



22 Positions for Microtiter Plates, Tubes, And Tips

2x Trash Bins

Calibration Block

Tip Calibration Sensors

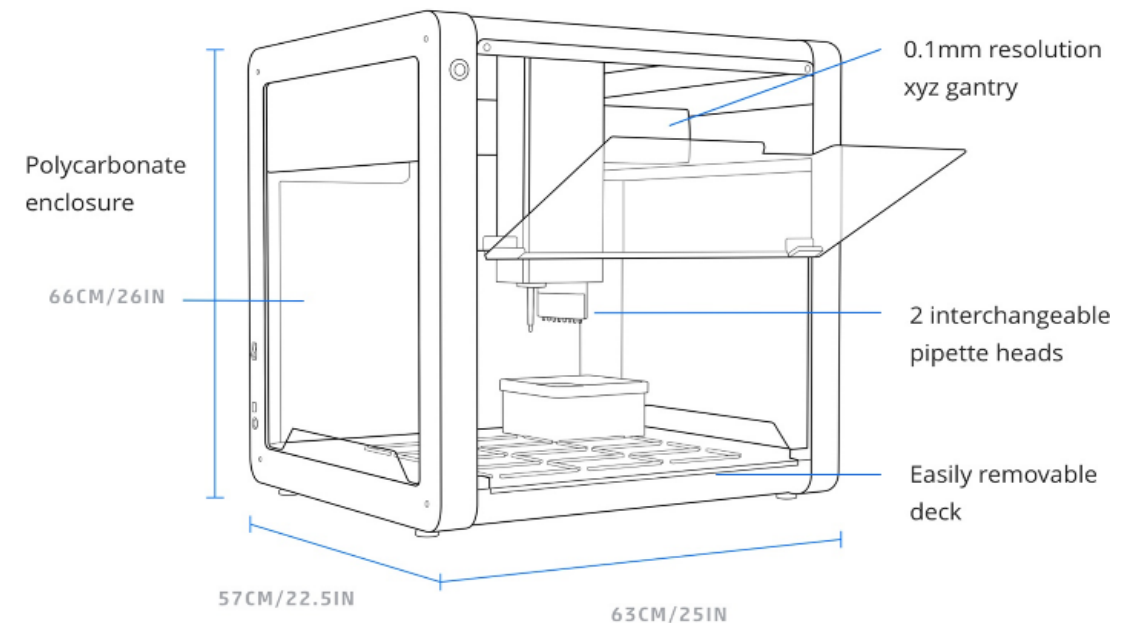
4x High-Precision Pipettes of your Choice:

➤ P20: 1-20ul

➤ P300: 20-300ul

➤ P1000: 100-1000ul

Available in Single-Channel and 8-Channel Multi Pipette



# THE ROBOTIC ARM

FOR LABWARE TRANSFER

**Shenzhen Yuejiang  
Technology Co., Ltd**



1x Dobot M1 Robotic Arm

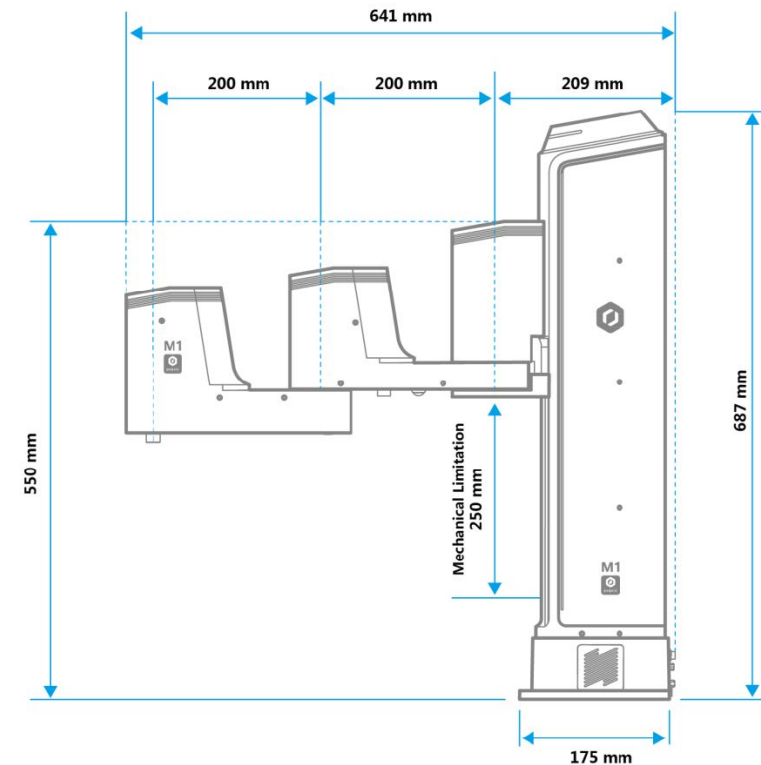
1x Gripper

1x Pump

1x Suction Cup

1x Custom Fingers for Microtiter Plate Gripper

Labware transfer to different modules, between liquid handlers and for plate stacking



# THE TEMPERATURE MODULE

FOR COOLING AND HEATING OF SAMPLES/REAGENTS

**OpenTrons Labworks Inc**



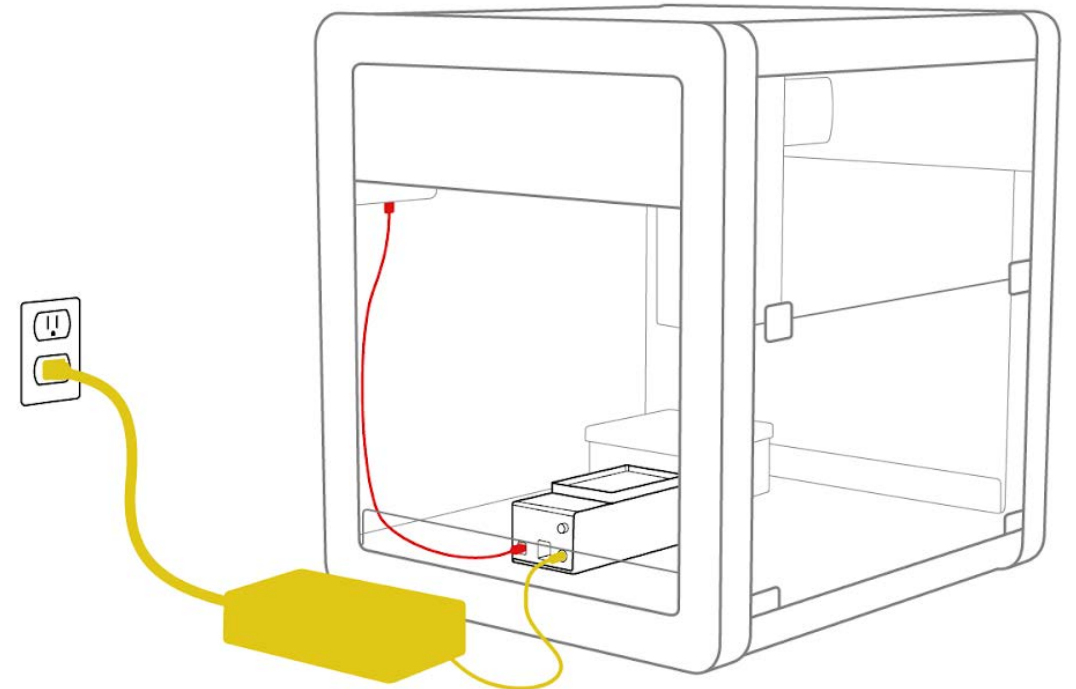
4-95 °C

1x Mounting Aluminium Block for PCR Plates

1x Mounting Aluminium Block for Flat Microtiter Plates

1x Mounting Aluminium Block for 1,5-2ml Tubes

Automatic loading of labware by AMGEL's robotic arm



# THE MAGNETIC MODULE

FOR ANY MAGNETIC-BEAD BASED PROTOCOL

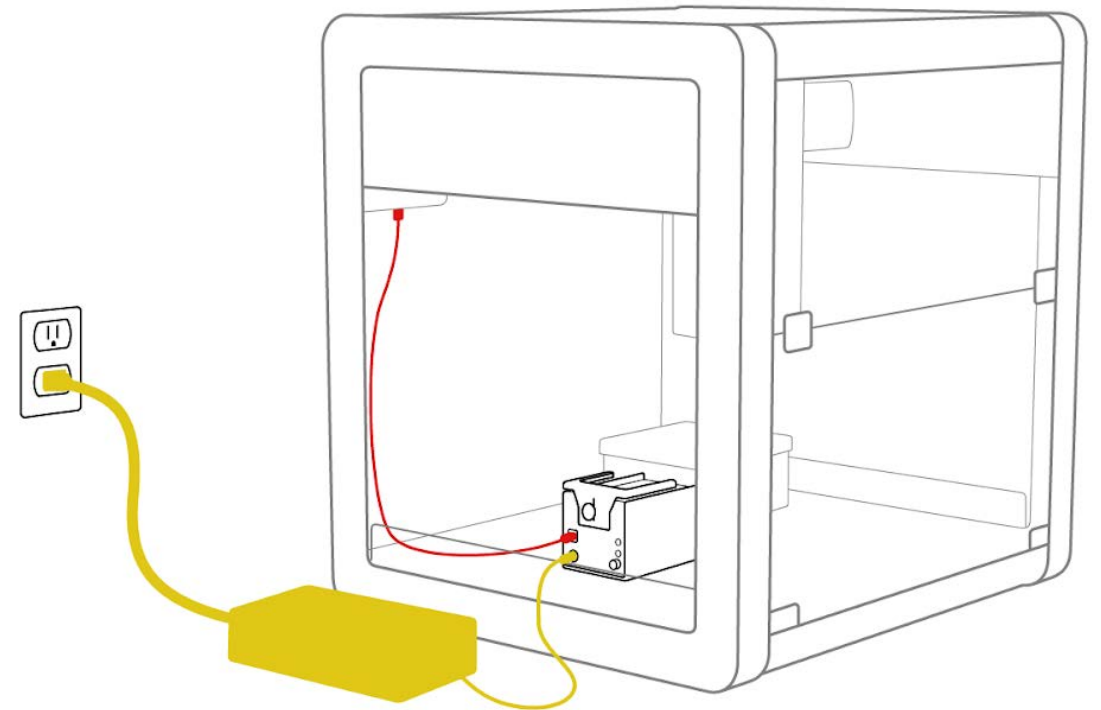
**OpenTrons Labworks Inc**



High-Strength N42 Neodymium Magnets

Automatic Loading of Labware by AMGEL's Robotic Arm

Compatible with standard and deep well labware from 22 mm to 44 mm, various magnetic bead products, and protocols with volumes from 10  $\mu$ L to 2 mL.



# THE BIOSHAKE 3000-T ELM

FOR SHAKING AND HEATING OF SAMPLES/REAGENTS

## Quantifoil Instruments



1x Mounting Aluminium Block for Microtiter Plates

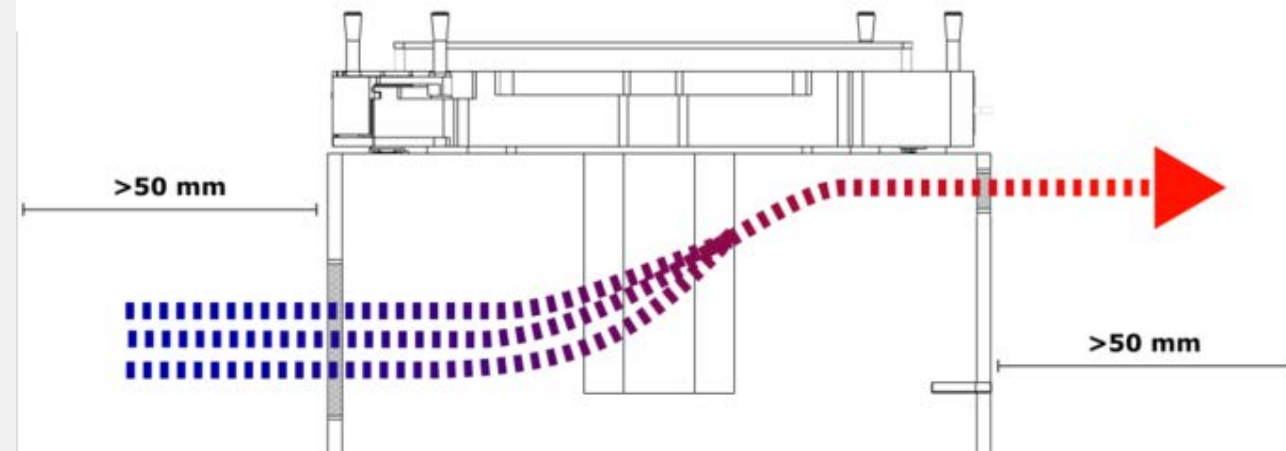
RT -99 °C

Shaking 200-3000rpm

Active Locking of Plates

Adaptor for Plates or Tubes

Automatic Loading of Labware by AMGEL's Robotic Arm





# THE 4-IN-1 TUBE RACK SET

FOR HOLDING STANDARD LABORATORY TUBES

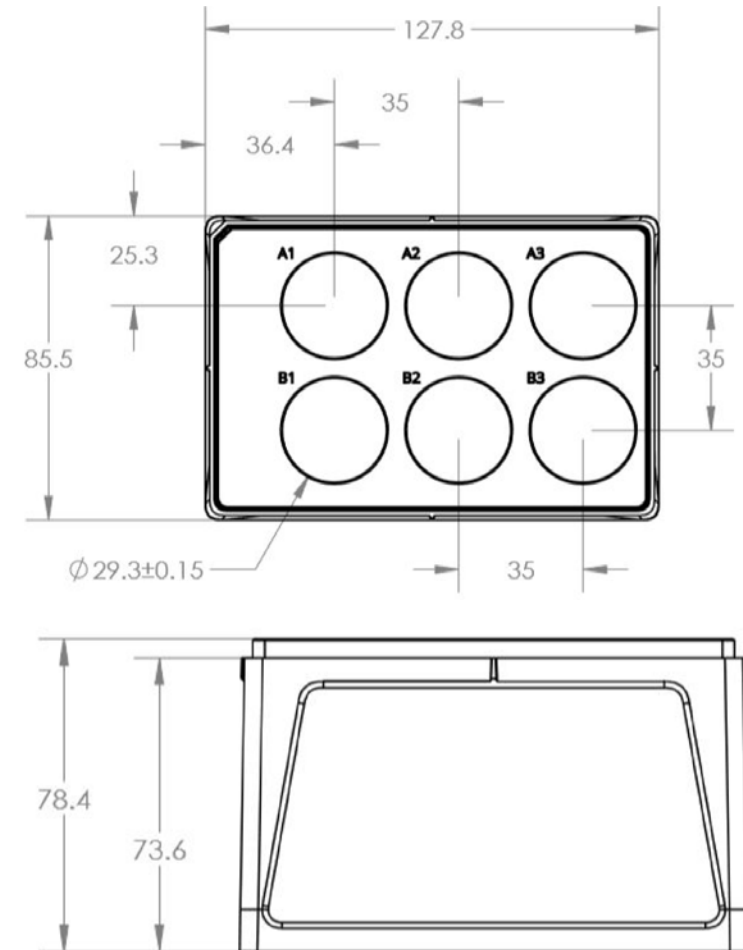
## OpenTrons Labworks Inc



Each Set Includes:

- 2 Base Stands
- 4 Tube Holder Tops: 1.5ml, 2ml, 15ml + 50ml, 15ml, 50ml

The tube holder tops snap securely on the base stand, which fits directly on the deck of OT-2.



# THE CUSTOMIZABLE RACKS

FOR HOLDING MICROTITER PLATES, CRYOVIAL,  
GLASS VIALS AND ANY LABWARE

## EFEVRE TECH LTD

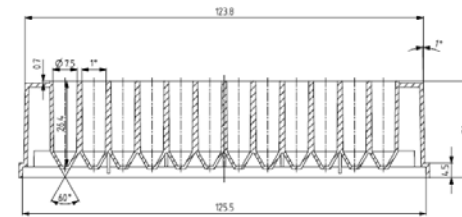


Each Rack Set is Composed of:

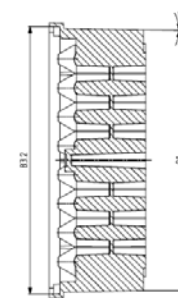
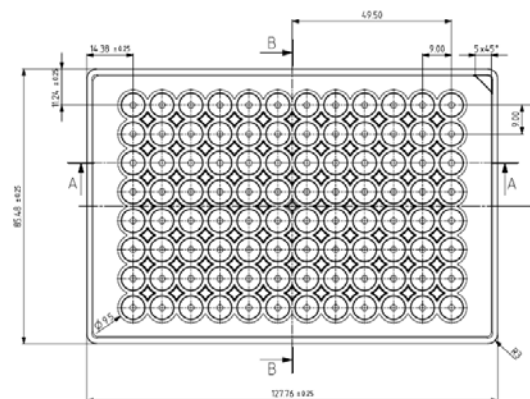
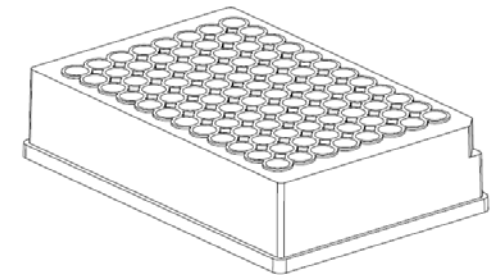
- 1 Base for Mounting on OT2 Positions
- 1 Base for Holding Labware

Custom Base Construction Depending on Customer Needs

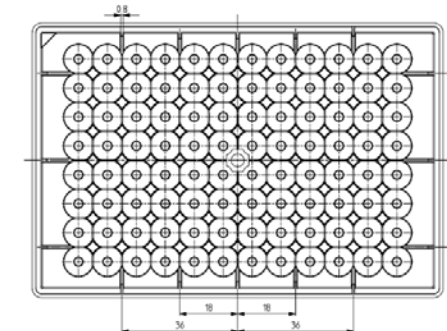
Automatic Loading of Labware by AMGEL's Robotic Arm



SECTION A-A



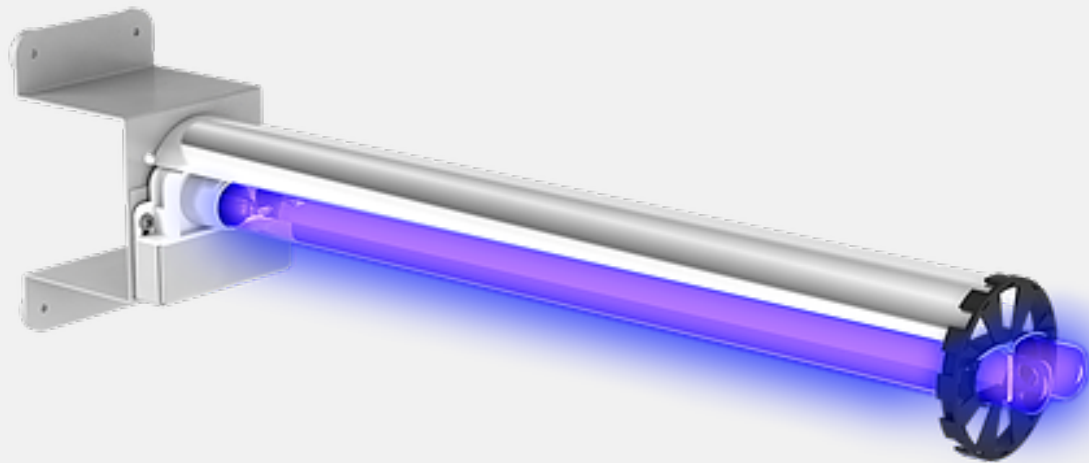
SECTION B-B



# THE GERMICIDAL STRIPS

FOR STERILISATION

TECAN + EFEVRE TECH LTD

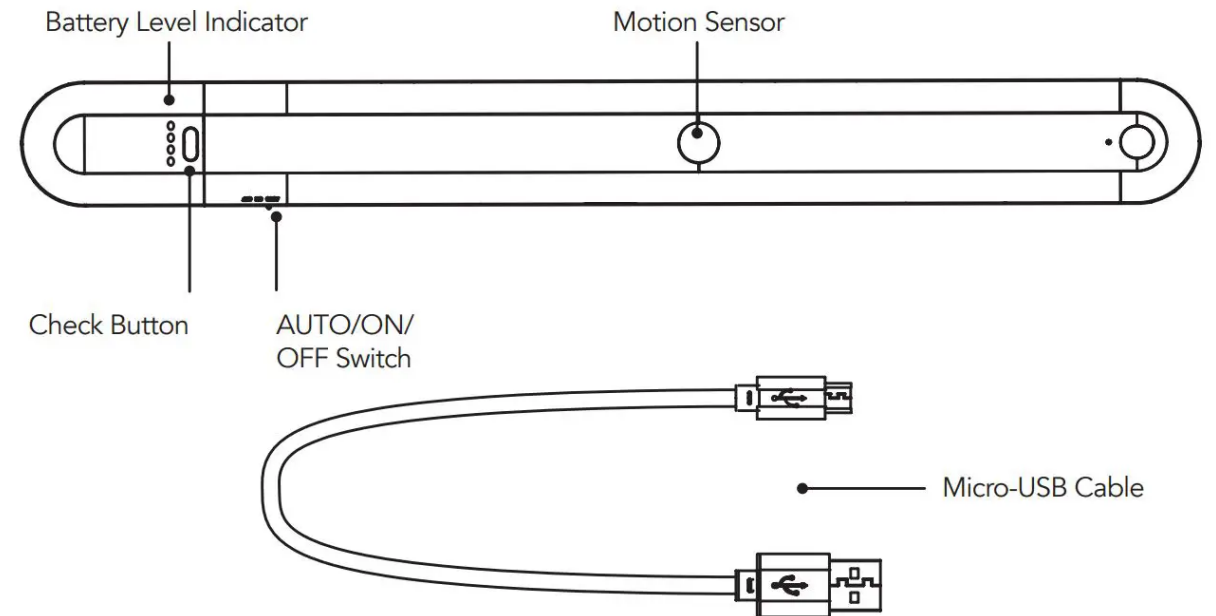


Focused Beam:

- Minimizes Plasticware Wear Inside Platform
- Less Maintenance Costs
- Minimizes Human Exposure to UV

On / Off Switch

Timer for Sterilization Cycles



# THE LAPTOP, PC OR TABLET

FOR INTEGRATION

## EFEVRE TECH LTD



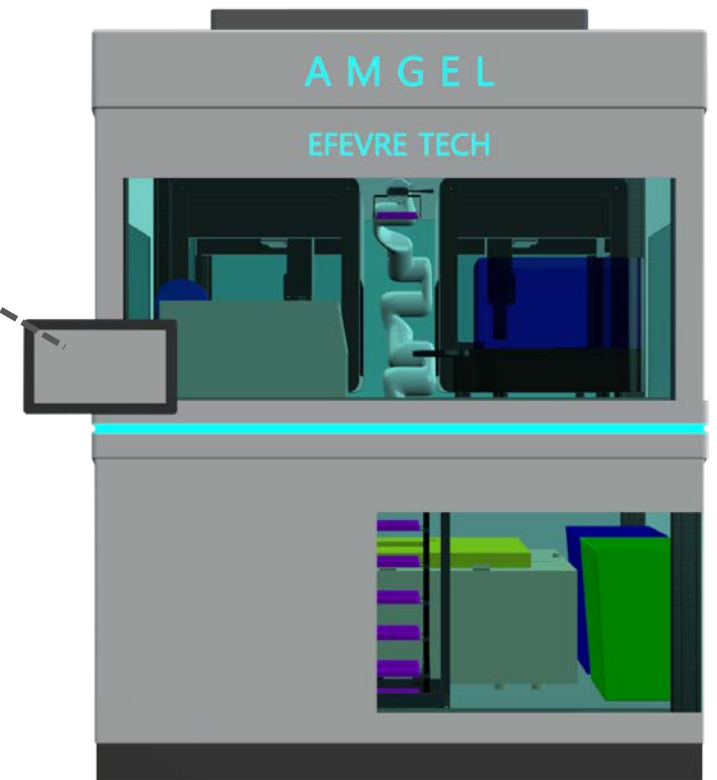
Dedicated PC for the System

Windows Operating System

Robot Operating System

Customers can use their personal computers for more than one user control.

Touch Screen



# THE HIGH-END AUTOMATION

FOR POWER MANAGEMENT AND SAFETY

## EFEVRE TECH LTD

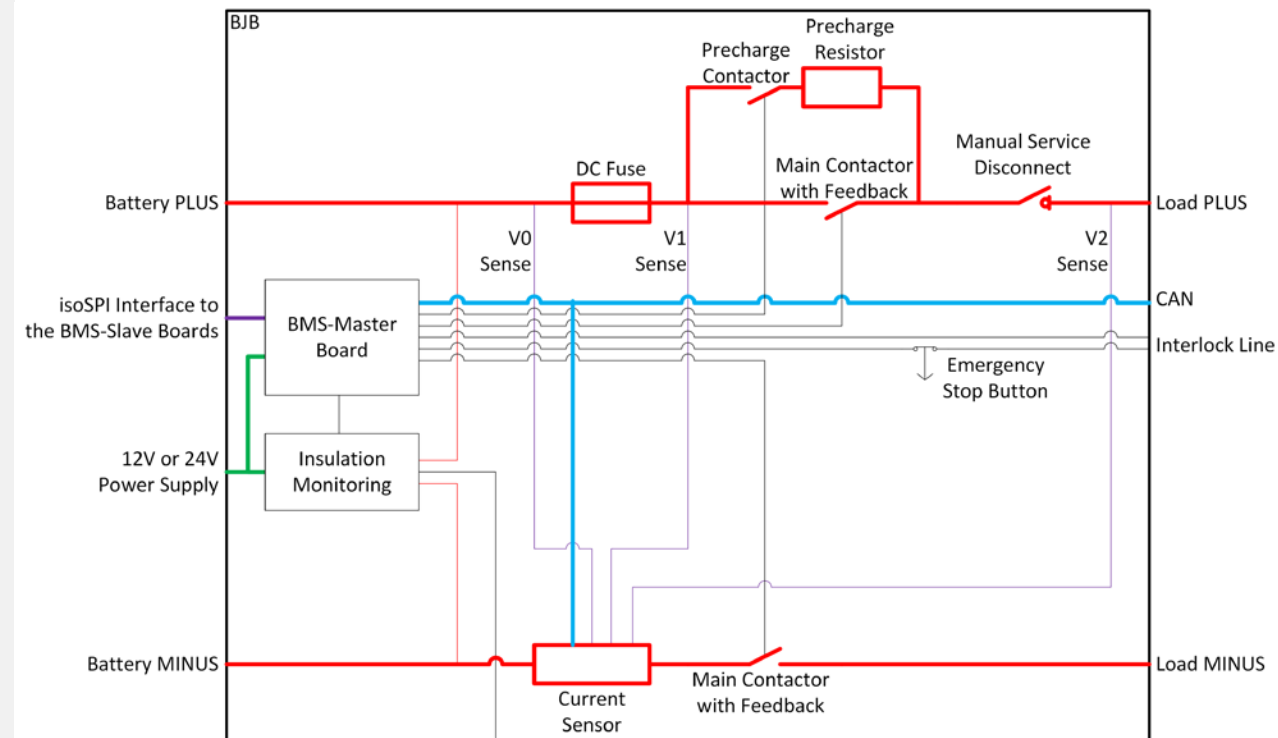
Electrical Boards

Electronics and Computers for Robotic Control

Emergency Stop System

High-End Power Supplies and Relays

Timers



# THE CUSTOM BENCH

FOR DURABILITY IN LABORATORY CONDITIONS,  
ANTIVIBRATION, EASY TO MOVE

## EFEVRE TECH LTD



Stainless Steel (304) Stabilization Plate

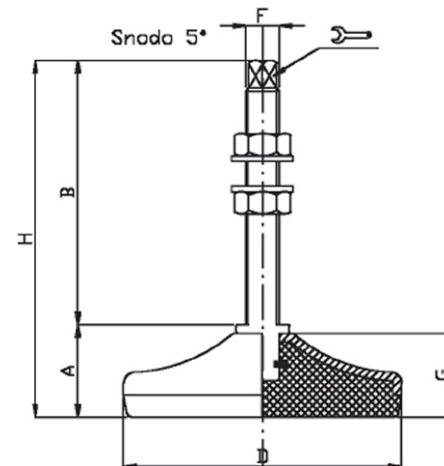
4 X Anti-Vibration - Hygienic-Grade - Adjustable Feet

4 x Heavy-Duty Wheels for Easy Relocation Inside the Lab

Enclosure of Robotic Arm for Safety

Mounting brackets and removable hatch for integration of new devices (e.g., automated centrifuge or PCR).

Custom heavy-duty bench with wheels and leveling feet.



All Threads are Standard Metric  
Coarse threads as follows:

M8 - 1.25	M16 - 2.00
M10 - 1.50	M20 - 2.50
M12 - 1.75	M24 - 3.00
M14 - 2.00	M30 - 3.50

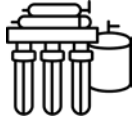
UNC, UNF, and Metric Fine threads  
can be specified on all sizes.

# THE INTEGRATION SERVICES

---

FOR CUSTOMER SUPPORT

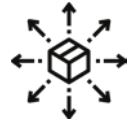
## EFEVRE TECH LTD



Protocol Preparation



Testing / Validation of System Operational Capacity During Development



Delivery to Customer



Calibrations of the Requested Protocol(s) After Delivery



Training of Users



Warranty 1 Year for ALL Hardware



Detailed User Manual

# THE USER FRIENDLY GRAPHICAL INTERFACE

---

FOR METAGENOMIC LIBRARY PREPARATION

## ILLUMINA KIT

**01**

Easy to  
Navigate

**02**

Tailored to  
your protocols

**03**

Intuitive Design  
making it easy to use

**04**

Detailed  
Descriptions

**05**

Step-by-Step  
Guidance

**06**

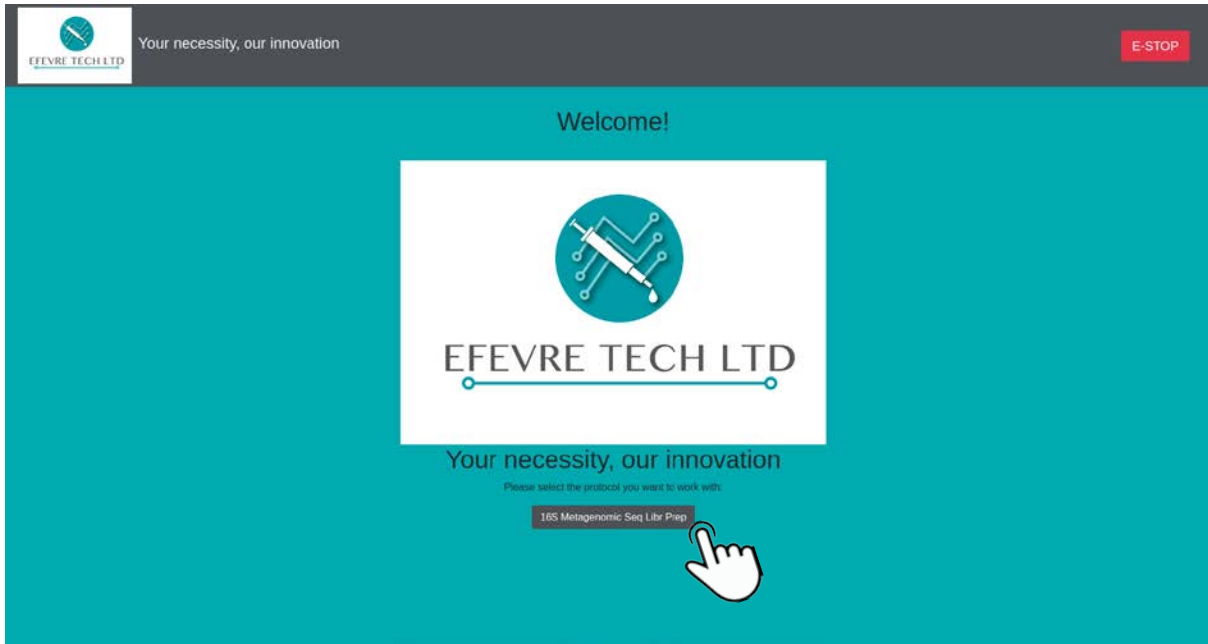
Maximum  
Walk-Away Experience



# THE SOFTWARE

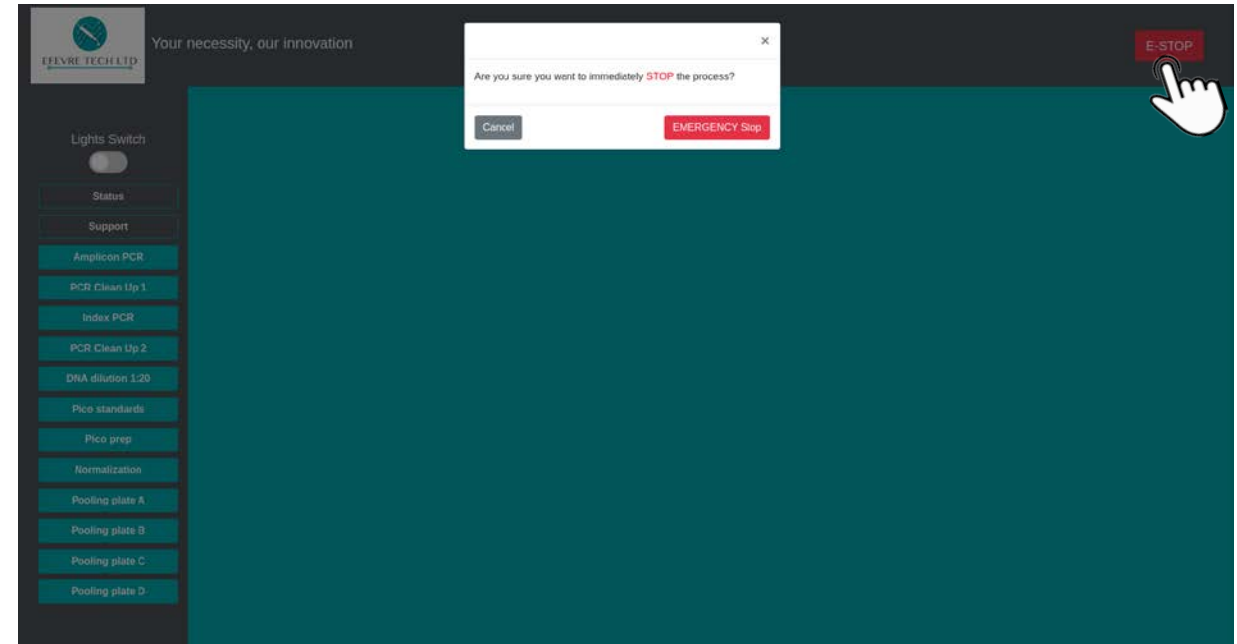
FOR METAGENOMIC LIBRARY PREPARATION

# EFEVRE TECH LTD



## Welcome Page

Press "16S Metagenomic Seq Libr Prep"  
to start working with the software



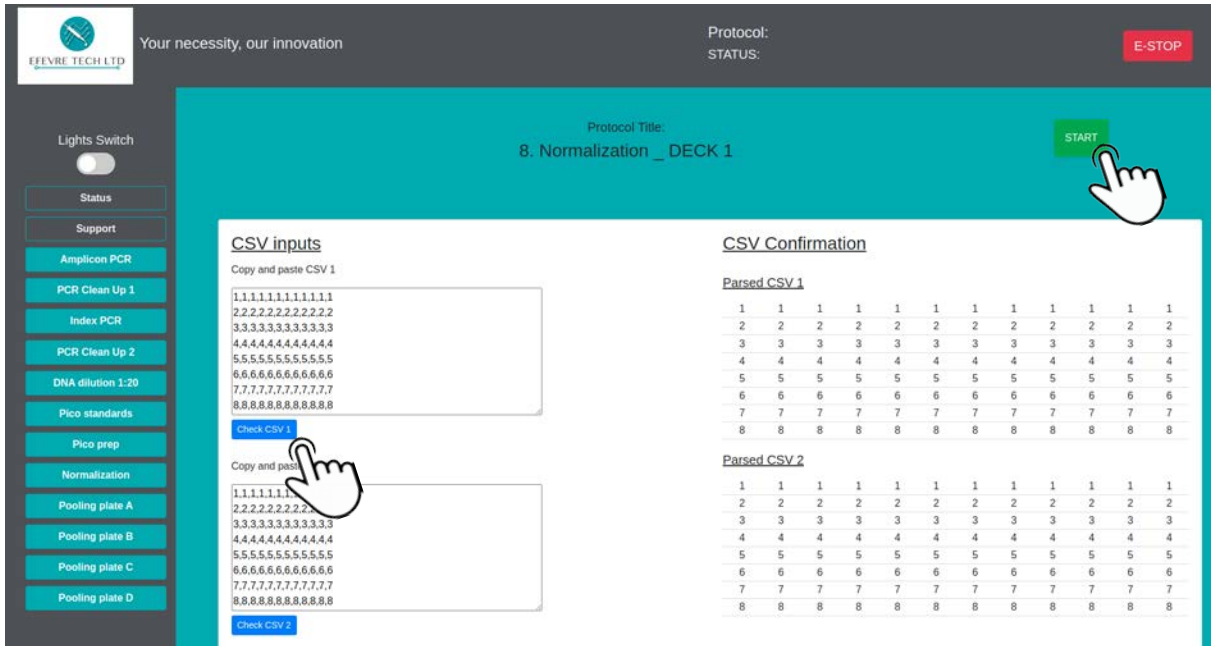
## Emergency Stop Button

Press "E-STOP" for Emergency Stop

# THE SOFTWARE

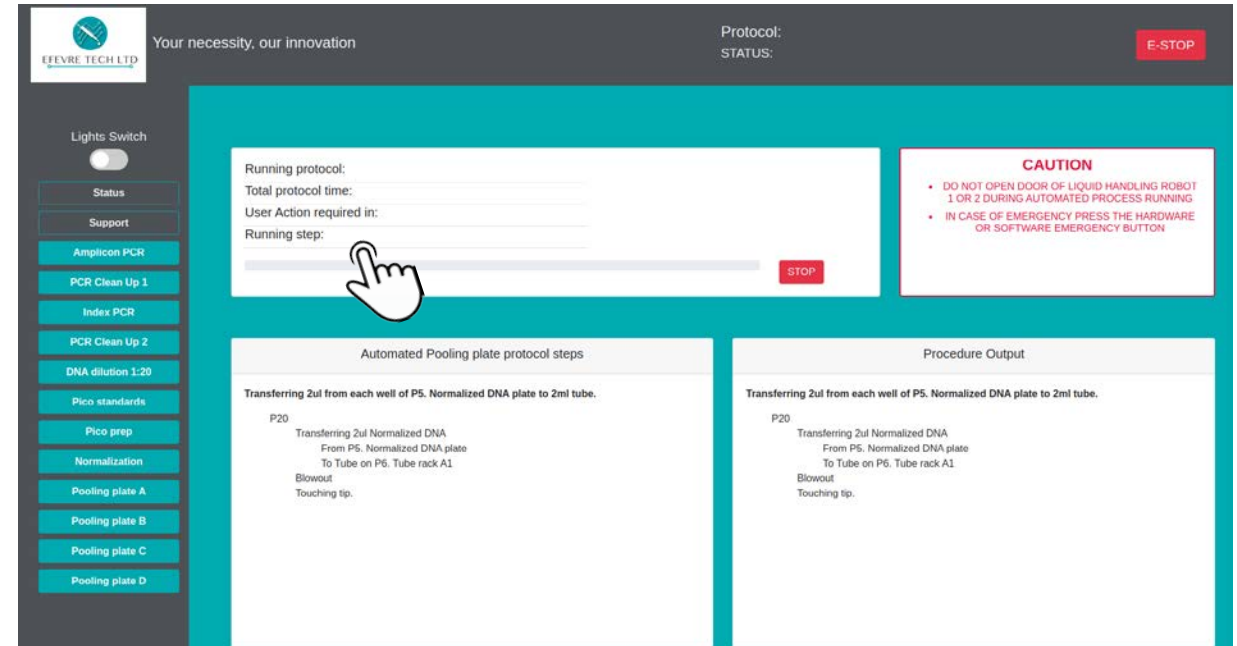
FOR METAGENOMIC LIBRARY PREPARATION

# EFEVRE TECH LTD



## Add Protocol

Add “CSV Input” to generate your chosen protocol and press “START”



## Protocol Status

Check the protocol status from the shown area

# THE SOFTWARE

FOR METAGENOMIC LIBRARY PREPARATION

# EFEVRE TECH LTD

The screenshot shows the software interface with a sidebar on the left containing a list of protocols. A hand cursor is pointing to 'PCR Clean Up 1'. The main area displays the details for '2. PCR Clean Up 1 \_ DECK 2', including a description, source, consumables table, and labware setup. A hand cursor is pointing to the 'START' button.

**2.1 Description**  
This step uses AMPure XP beads to purify the 16S V3 and V4 amplicon away from free primers and primer dimer species.

**2.2 Source**  
16S Metagenomic Sequencing Library Preparation Guide Page 8.

**2.3 Consumables**

Item	Quantity	Storage
10 mM Tris pH8.5	52.5 µl per sample	-15° to -25°C
AMPure XP beads	20 µl per sample	2° to 8°C
Freshly Prepared 80% Ethanol (EtOH)	400 µl per sample	

**2.4 Labware setup**  
Please place the following labware on Liquid handling robot Deck 2:

Position 1:  
MAGNETIC Disengaged

DECK 2

Position 2:  
P2\_4T1:TUDI #41-0131

Position 3:  
P3\_4T1:TUDI #41-0131

Position 4:  
P4\_4T1:TUDI #41-0906 (EMPTY, CLEAN UP 1 PLATE)

Position 5:  
P5\_4T1:TUDI #41-0131

Position 6:  
P6\_4T1:TUDI #41-0131

Position 7:  
P7\_4T1:TUDI #41-0131

Position 8:  
P8\_4T1:TUDI #41-0131

Position 9:  
P9\_4T1:TUDI #41-0131

Position 10:  
P10\_4T1:TUDI #41-0131

Position 11:  
P11\_4T1:TUDI #41-0131

Position 12:  
P12\_4T1:TUDI #41-0131

Position 13:  
P13\_4T1:TUDI #41-0131

Position 14:  
P14\_4T1:TUDI #41-0131

Position 15:  
P15\_4T1:TUDI #41-0131

Position 16:  
P16\_4T1:TUDI #41-0131

Position 17:  
P17\_4T1:TUDI #41-0131

Position 18:  
P18\_4T1:TUDI #41-0131

Position 19:  
P19\_4T1:TUDI #41-0131

Position 20:  
P20\_4T1:TUDI #41-0131

Position 21:  
P21\_4T1:TUDI #41-0131

Position 22:  
P22\_4T1:TUDI #41-0131

Position 23:  
P23\_4T1:TUDI #41-0131

Position 24:  
P24\_4T1:TUDI #41-0131

Position 25:  
P25\_4T1:TUDI #41-0131

Position 26:  
P26\_4T1:TUDI #41-0131

Position 27:  
P27\_4T1:TUDI #41-0131

Position 28:  
P28\_4T1:TUDI #41-0131

Position 29:  
P29\_4T1:TUDI #41-0131

Position 30:  
P30\_4T1:TUDI #41-0131

Position 31:  
P31\_4T1:TUDI #41-0131

Position 32:  
P32\_4T1:TUDI #41-0131

Position 33:  
P33\_4T1:TUDI #41-0131

Position 34:  
P34\_4T1:TUDI #41-0131

Position 35:  
P35\_4T1:TUDI #41-0131

Position 36:  
P36\_4T1:TUDI #41-0131

Position 37:  
P37\_4T1:TUDI #41-0131

Position 38:  
P38\_4T1:TUDI #41-0131

Position 39:  
P39\_4T1:TUDI #41-0131

Position 40:  
P40\_4T1:TUDI #41-0131

Position 41:  
P41\_4T1:TUDI #41-0131

Position 42:  
P42\_4T1:TUDI #41-0131

Position 43:  
P43\_4T1:TUDI #41-0131

Position 44:  
P44\_4T1:TUDI #41-0131

Position 45:  
P45\_4T1:TUDI #41-0131

Position 46:  
P46\_4T1:TUDI #41-0131

Position 47:  
P47\_4T1:TUDI #41-0131

Position 48:  
P48\_4T1:TUDI #41-0131

Position 49:  
P49\_4T1:TUDI #41-0131

Position 50:  
P50\_4T1:TUDI #41-0131

Position 51:  
P51\_4T1:TUDI #41-0131

Position 52:  
P52\_4T1:TUDI #41-0131

Position 53:  
P53\_4T1:TUDI #41-0131

Position 54:  
P54\_4T1:TUDI #41-0131

Position 55:  
P55\_4T1:TUDI #41-0131

Position 56:  
P56\_4T1:TUDI #41-0131

Position 57:  
P57\_4T1:TUDI #41-0131

Position 58:  
P58\_4T1:TUDI #41-0131

Position 59:  
P59\_4T1:TUDI #41-0131

Position 60:  
P60\_4T1:TUDI #41-0131

Position 61:  
P61\_4T1:TUDI #41-0131

Position 62:  
P62\_4T1:TUDI #41-0131

Position 63:  
P63\_4T1:TUDI #41-0131

Position 64:  
P64\_4T1:TUDI #41-0131

Position 65:  
P65\_4T1:TUDI #41-0131

Position 66:  
P66\_4T1:TUDI #41-0131

Position 67:  
P67\_4T1:TUDI #41-0131

Position 68:  
P68\_4T1:TUDI #41-0131

Position 69:  
P69\_4T1:TUDI #41-0131

Position 70:  
P70\_4T1:TUDI #41-0131

Position 71:  
P71\_4T1:TUDI #41-0131

Position 72:  
P72\_4T1:TUDI #41-0131

Position 73:  
P73\_4T1:TUDI #41-0131

Position 74:  
P74\_4T1:TUDI #41-0131

Position 75:  
P75\_4T1:TUDI #41-0131

Position 76:  
P76\_4T1:TUDI #41-0131

Position 77:  
P77\_4T1:TUDI #41-0131

Position 78:  
P78\_4T1:TUDI #41-0131

Position 79:  
P79\_4T1:TUDI #41-0131

Position 80:  
P80\_4T1:TUDI #41-0131

Position 81:  
P81\_4T1:TUDI #41-0131

Position 82:  
P82\_4T1:TUDI #41-0131

Position 83:  
P83\_4T1:TUDI #41-0131

Position 84:  
P84\_4T1:TUDI #41-0131

Position 85:  
P85\_4T1:TUDI #41-0131

Position 86:  
P86\_4T1:TUDI #41-0131

Position 87:  
P87\_4T1:TUDI #41-0131

Position 88:  
P88\_4T1:TUDI #41-0131

Position 89:  
P89\_4T1:TUDI #41-0131

Position 90:  
P90\_4T1:TUDI #41-0131

Position 91:  
P91\_4T1:TUDI #41-0131

Position 92:  
P92\_4T1:TUDI #41-0131

Position 93:  
P93\_4T1:TUDI #41-0131

Position 94:  
P94\_4T1:TUDI #41-0131

Position 95:  
P95\_4T1:TUDI #41-0131

Position 96:  
P96\_4T1:TUDI #41-0131

Position 97:  
P97\_4T1:TUDI #41-0131

Position 98:  
P98\_4T1:TUDI #41-0131

Position 99:  
P99\_4T1:TUDI #41-0131

Position 100:  
P100\_4T1:TUDI #41-0131

The screenshot shows the software interface with a sidebar on the left containing a list of protocols. A hand cursor is pointing to 'PCR Clean Up 1'. The main area displays the procedure steps for '2. PCR Clean Up 1 \_ DECK 2', including a diagram of the deck and a list of steps. A hand cursor is pointing to the 'START' button.

**2.1 Description**  
This step uses AMPure XP beads to purify the 16S V3 and V4 amplicon away from free primers and primer dimer species.

**2.2 Source**  
16S Metagenomic Sequencing Library Preparation Guide Page 8.

**2.3 Consumables**

Item	Quantity	Storage
10 mM Tris pH8.5	52.5 µl per sample	-15° to -25°C
AMPure XP beads	20 µl per sample	2° to 8°C
Freshly Prepared 80% Ethanol (EtOH)	400 µl per sample	

**2.4 Labware setup**  
Please place the following labware on Liquid handling robot Deck 2:

Position 1:  
MAGNETIC Disengaged

DECK 2

Position 2:  
P2\_4T1:TUDI #41-0131

Position 3:  
P3\_4T1:TUDI #41-0131

Position 4:  
P4\_4T1:TUDI #41-0906 (EMPTY, CLEAN UP 1 PLATE)

Position 5:  
P5\_4T1:TUDI #41-0131

Position 6:  
P6\_4T1:TUDI #41-0131

Position 7:  
P7\_4T1:TUDI #41-0131

Position 8:  
P8\_4T1:TUDI #41-0131

Position 9:  
P9\_4T1:TUDI #41-0131

Position 10:  
P10\_4T1:TUDI #41-0131

Position 11:  
P11\_4T1:TUDI #41-0131

Position 12:  
P12\_4T1:TUDI #41-0131

Position 13:  
P13\_4T1:TUDI #41-0131

Position 14:  
P14\_4T1:TUDI #41-0131

Position 15:  
P15\_4T1:TUDI #41-0131

Position 16:  
P16\_4T1:TUDI #41-0131

Position 17:  
P17\_4T1:TUDI #41-0131

Position 18:  
P18\_4T1:TUDI #41-0131

Position 19:  
P19\_4T1:TUDI #41-0131

Position 20:  
P20\_4T1:TUDI #41-0131

Position 21:  
P21\_4T1:TUDI #41-0131

Position 22:  
P22\_4T1:TUDI #41-0131

Position 23:  
P23\_4T1:TUDI #41-0131

Position 24:  
P24\_4T1:TUDI #41-0131

Position 25:  
P25\_4T1:TUDI #41-0131

Position 26:  
P26\_4T1:TUDI #41-0131

Position 27:  
P27\_4T1:TUDI #41-0131

Position 28:  
P28\_4T1:TUDI #41-0131

Position 29:  
P29\_4T1:TUDI #41-0131

Position 30:  
P30\_4T1:TUDI #41-0131

Position 31:  
P31\_4T1:TUDI #41-0131

Position 32:  
P32\_4T1:TUDI #41-0131

Position 33:  
P33\_4T1:TUDI #41-0131

Position 34:  
P34\_4T1:TUDI #41-0131

Position 35:  
P35\_4T1:TUDI #41-0131

Position 36:  
P36\_4T1:TUDI #41-0131

Position 37:  
P37\_4T1:TUDI #41-0131

Position 38:  
P38\_4T1:TUDI #41-0131

Position 39:  
P39\_4T1:TUDI #41-0131

Position 40:  
P40\_4T1:TUDI #41-0131

Position 41:  
P41\_4T1:TUDI #41-0131

Position 42:  
P42\_4T1:TUDI #41-0131

Position 43:  
P43\_4T1:TUDI #41-0131

Position 44:  
P44\_4T1:TUDI #41-0131

Position 45:  
P45\_4T1:TUDI #41-0131

Position 46:  
P46\_4T1:TUDI #41-0131

Position 47:  
P47\_4T1:TUDI #41-0131

Position 48:  
P48\_4T1:TUDI #41-0131

Position 49:  
P49\_4T1:TUDI #41-0131

Position 50:  
P50\_4T1:TUDI #41-0131

Position 51:  
P51\_4T1:TUDI #41-0131

Position 52:  
P52\_4T1:TUDI #41-0131

Position 53:  
P53\_4T1:TUDI #41-0131

Position 54:  
P54\_4T1:TUDI #41-0131

Position 55:  
P55\_4T1:TUDI #41-0131

Position 56:  
P56\_4T1:TUDI #41-0131

Position 57:  
P57\_4T1:TUDI #41-0131

Position 58:  
P58\_4T1:TUDI #41-0131

Position 59:  
P59\_4T1:TUDI #41-0131

Position 60:  
P60\_4T1:TUDI #41-0131

Position 61:  
P61\_4T1:TUDI #41-0131

Position 62:  
P62\_4T1:TUDI #41-0131

Position 63:  
P63\_4T1:TUDI #41-0131

Position 64:  
P64\_4T1:TUDI #41-0131

Position 65:  
P65\_4T1:TUDI #41-0131

Position 66:  
P66\_4T1:TUDI #41-0131

Position 67:  
P67\_4T1:TUDI #41-0131

Position 68:  
P68\_4T1:TUDI #41-0131

Position 69:  
P69\_4T1:TUDI #41-0131

Position 70:  
P70\_4T1:TUDI #41-0131

Position 71:  
P71\_4T1:TUDI #41-0131

Position 72:  
P72\_4T1:TUDI #41-0131

Position 73:  
P73\_4T1:TUDI #41-0131

Position 74:  
P74\_4T1:TUDI #41-0131

Position 75:  
P75\_4T1:TUDI #41-0131

Position 76:  
P76\_4T1:TUDI #41-0131

Position 77:  
P77\_4T1:TUDI #41-0131

Position 78:  
P78\_4T1:TUDI #41-0131

Position 79:  
P79\_4T1:TUDI #41-0131

Position 80:  
P80\_4T1:TUDI #41-0131

Position 81:  
P81\_4T1:TUDI #41-0131

Position 82:  
P82\_4T1:TUDI #41-0131

Position 83:  
P83\_4T1:TUDI #41-0131

Position 84:  
P84\_4T1:TUDI #41-0131

Position 85:  
P85\_4T1:TUDI #41-0131

Position 86:  
P86\_4T1:TUDI #41-0131

Position 87:  
P87\_4T1:TUDI #41-0131

Position 88:  
P88\_4T1:TUDI #41-0131

Position 89:  
P89\_4T1:TUDI #41-0131

Position 90:  
P90\_4T1:TUDI #41-0131

Position 91:  
P91\_4T1:TUDI #41-0131

Position 92:  
P92\_4T1:TUDI #41-0131

Position 93:  
P93\_4T1:TUDI #41-0131

Position 94:  
P94\_4T1:TUDI #41-0131

Position 95:  
P95\_4T1:TUDI #41-0131

Position 96:  
P96\_4T1:TUDI #41-0131

Position 97:  
P97\_4T1:TUDI #41-0131

Position 98:  
P98\_4T1:TUDI #41-0131

Position 99:  
P99\_4T1:TUDI #41-0131

Position 100:  
P100\_4T1:TUDI #41-0131

## Choose a Protocol

Choose one of the protocols shown on the list on the left to check its procedure

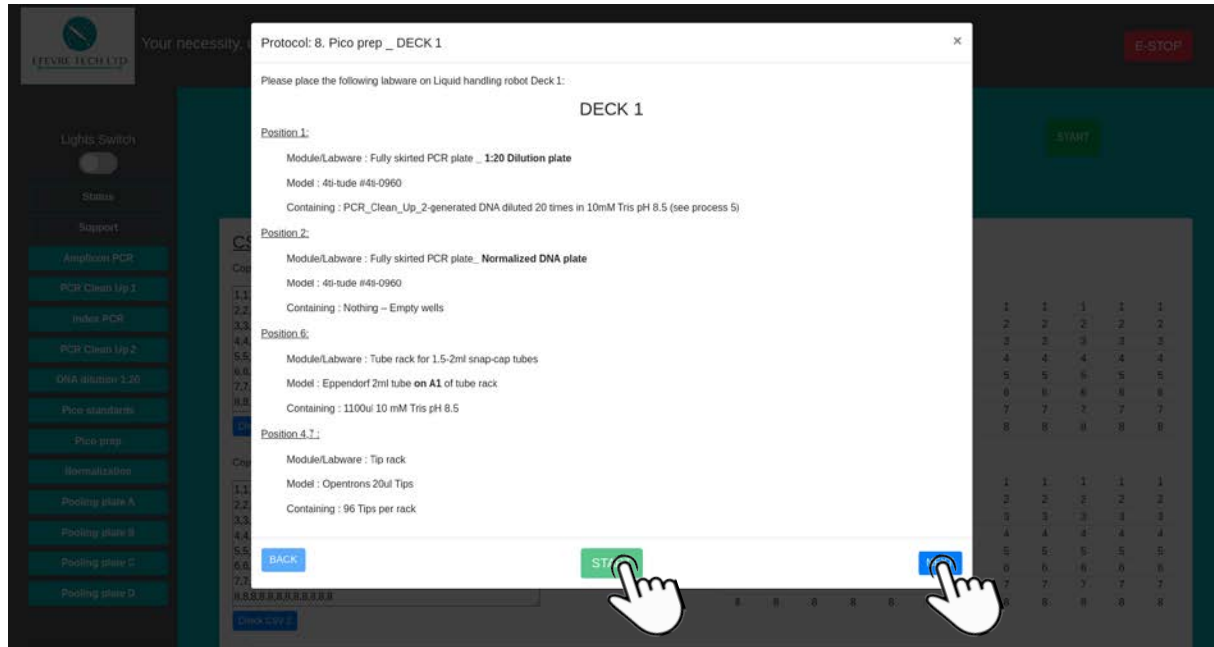
## Start the Procedure

Click "NEXT" to check all the steps in the procedure and the click "START" to start the protocol procedure

# THE SOFTWARE

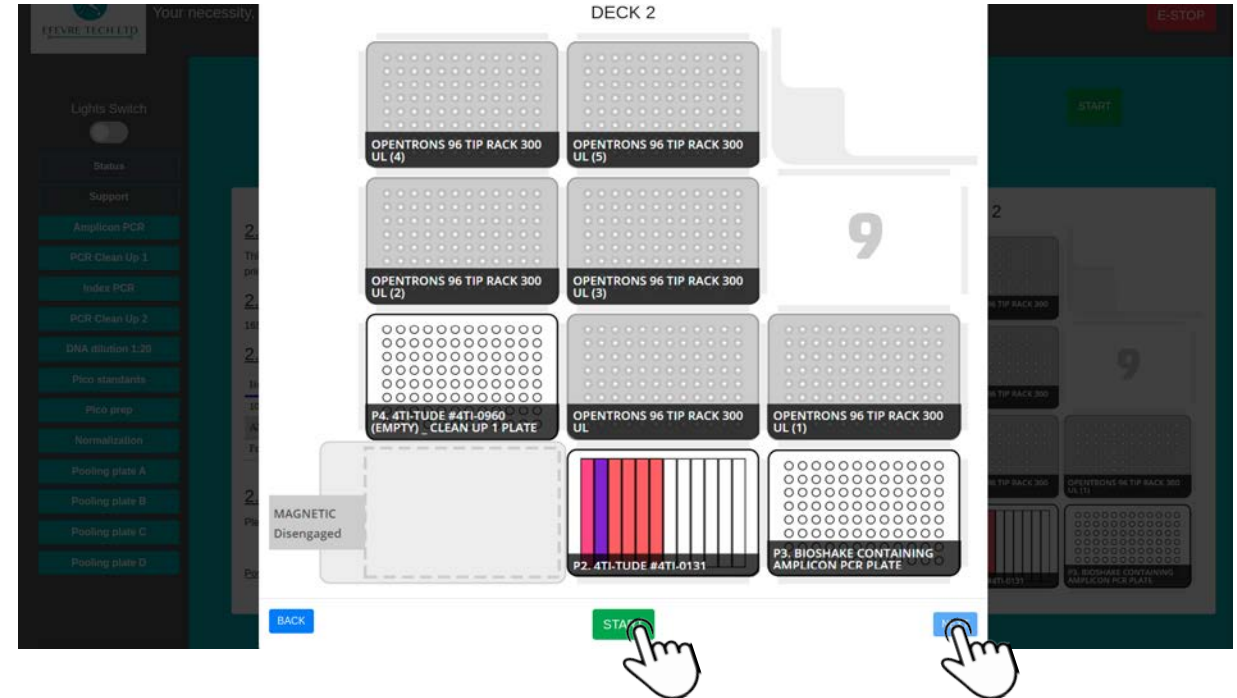
FOR METAGENOMIC LIBRARY PREPARATION

# EFEVRE TECH LTD



## Check DECK 1

Check all the positions on deck 1



## Check DECK 2

Check all the positions on deck 2

# THE HEPA FILTERS

FOR STERILE CONDITIONS DURING PIPETTING

## OpenTrons Labworks Inc



Reduces Contamination Risk During Sensitive Workflows

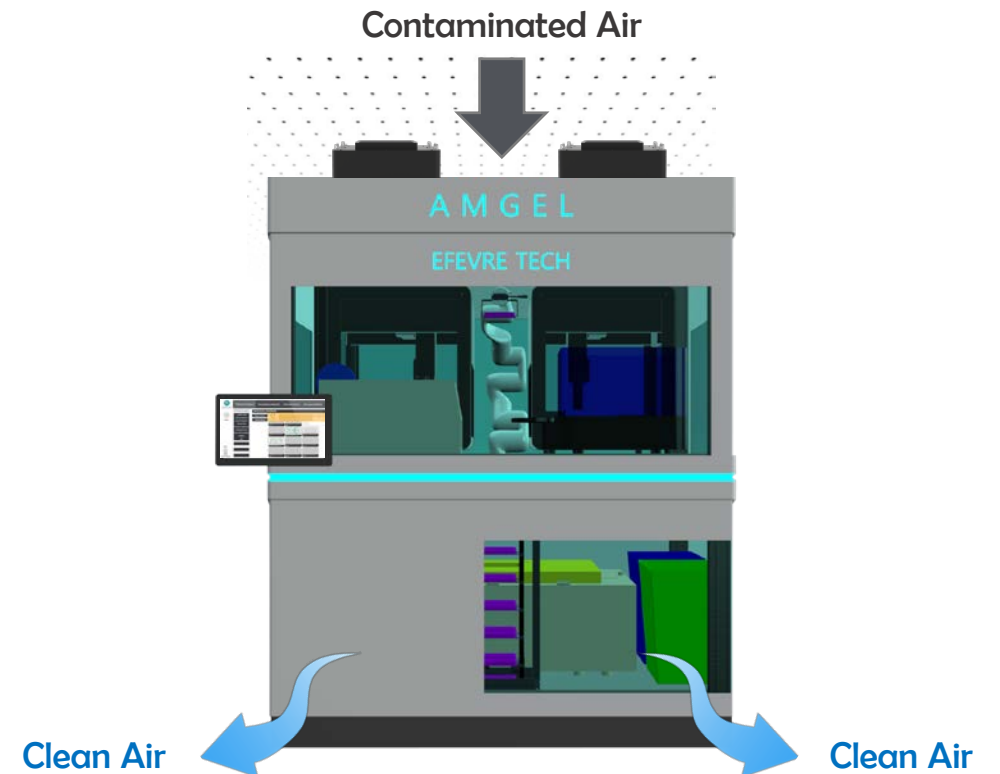
Vertical Airflow Downflow of 0.3 m/s - 0.45 m/s

3 Year Fan Lifetime of Moderate Use

1 Year Filter Lifetime of Moderate Use

Replaceable H14 HEPA Filter

Compatible With All Other OT-2 Hardware Modules



# THE FULLY AUTOMATED PCR

FOR FULL WALKAWAY TIME

## INHECO



Samples and Reagent are Pipetted Inside the PCR Device  
Lid Closes Automatically and the PCR Procedure is Automatically Initiated

Disposable Seal System for Preventing Sample Loss

Automatic Loading of Labware by AMGEL's Robotic Arm

Samples and PCR Reagents are Automatically Pipetted Inside the PCR Device

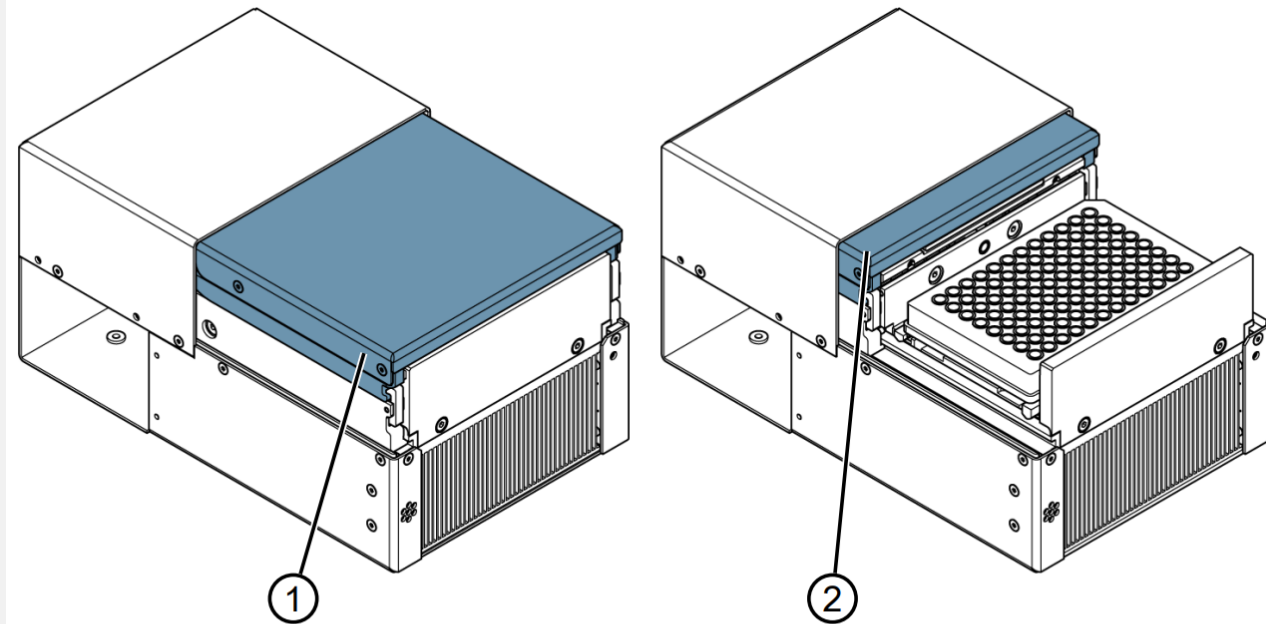


Illustration 6: ODTCTM lid

1 Closed position

2 Open position

# THE VACUUM MANIFOLD

FOR DNA / RNA / OTHER EXTRACTION +  
PURIFICATIONS

## UNIVERSAL ROBOTIC



Robotic Compatible Universal Vacuum Manifold, Acrylic,  
C/W Gauge

Vacuum Pump with Serial Control

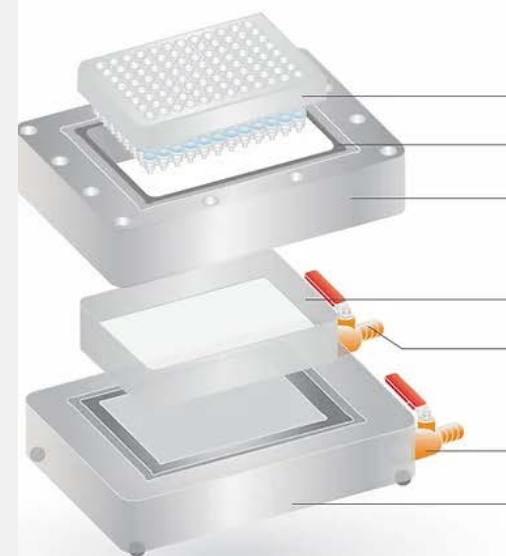
Automatic Loading of Labware by AMGEL's Robotic Arm

Waste Tray

Electronics

Valves

For DNA / RNA Binding, Wash Steps



96 Well Binding Plate

Top Plate Gasket

Manifold Top Plate

0.35 ml Collection Plate

Waste Tray

Release Valve

Collection Plate Spacer

Vacuum Valve

Manifold Base

For DNA / RNA Elution Steps



# THE LABWARE STACKERS

FOR FULL WALKAWAY TIME

## EFEVRE TECH LTD



Labware Stackers (Custom Built to Your Needs)

Increase Walk-Away Time by Stocking Labware on Room Temperature

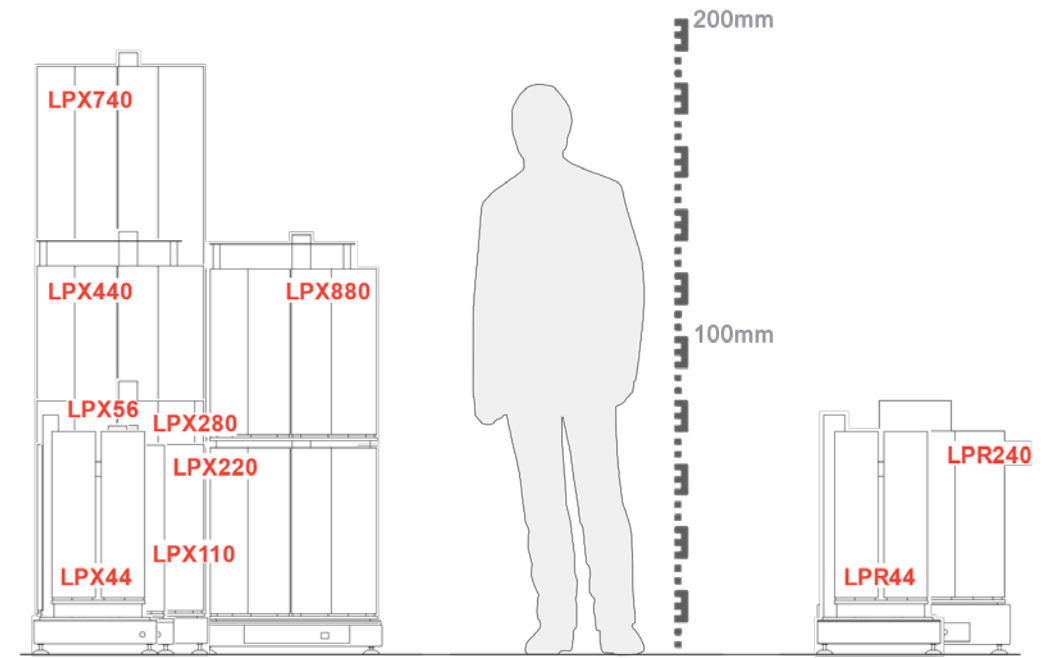
24-Hour Non-Stop Workflow Programming

3-Fold Increase of Productivity of Any Procedure

Accommodates Maximum 80 Standard Height Petri-Dish or SBS Plates, or Microtiter Plates

Automatic Loading of Labware by AMGEL's Robotic Arm

Easy Unloading of Stacks by User





# THE ROBOTIC CENTRIFUGE

FOR HIGH CAPACITY

## Sigma Zentrifugen GmbH



Universal Refrigerated Table Top Centrifuge

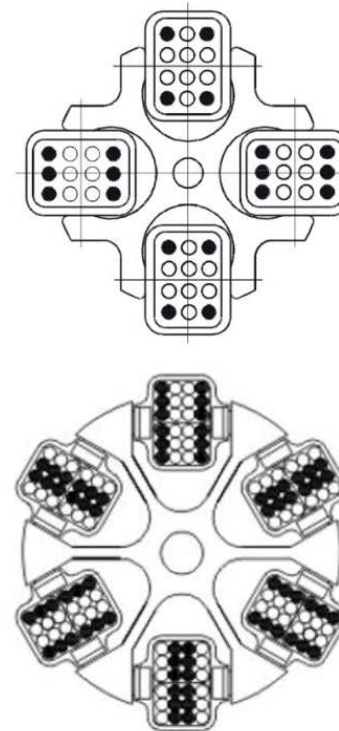
Speed Range Up To 15.000 RPM

Possibility of Precooling the Rotors During Standstill

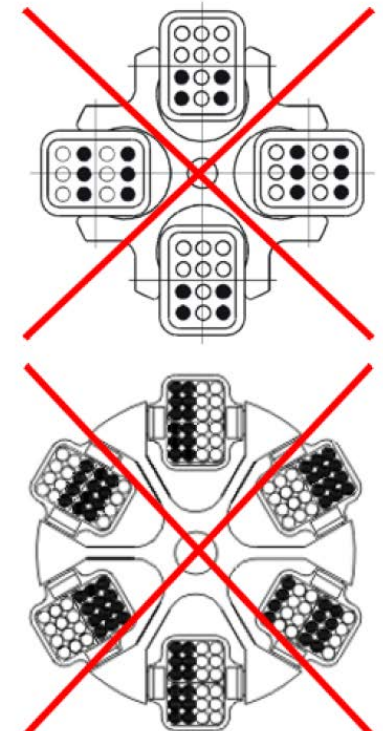
Maximum Capacity of 4 x 650 ml Down to Microtubes

Different Adapters In The Same Bucket

Correct



Incorrect



# THE QPCR

FOR REAL TIME INTEGRATION

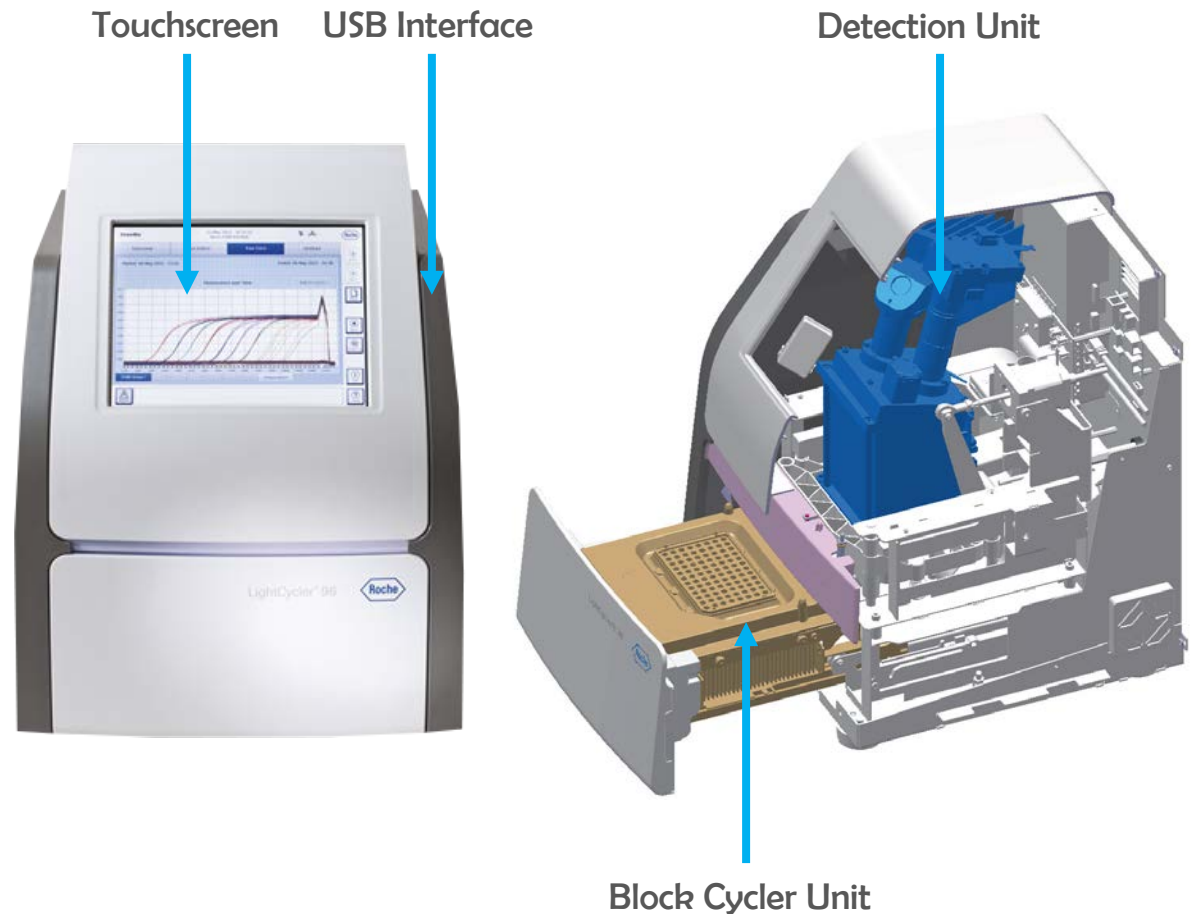
## Roche LightCycler



Automatic qPCR Plate Preparation

Automatic Loading of Plate on qPCR by AMGEL Robotic Arm

Automatic Running of a Selected qPCR Procedure






**EFEVRE TECH LTD™**  
Your necessity, our innovation

## FIND US AT

 104 Kyklikei Leoforos  
6056 Larnaca, Cyprus

 [www.efevre.com](http://www.efevre.com)

 +357 24 366 277

 [info@efevretech.com](mailto:info@efevretech.com)