

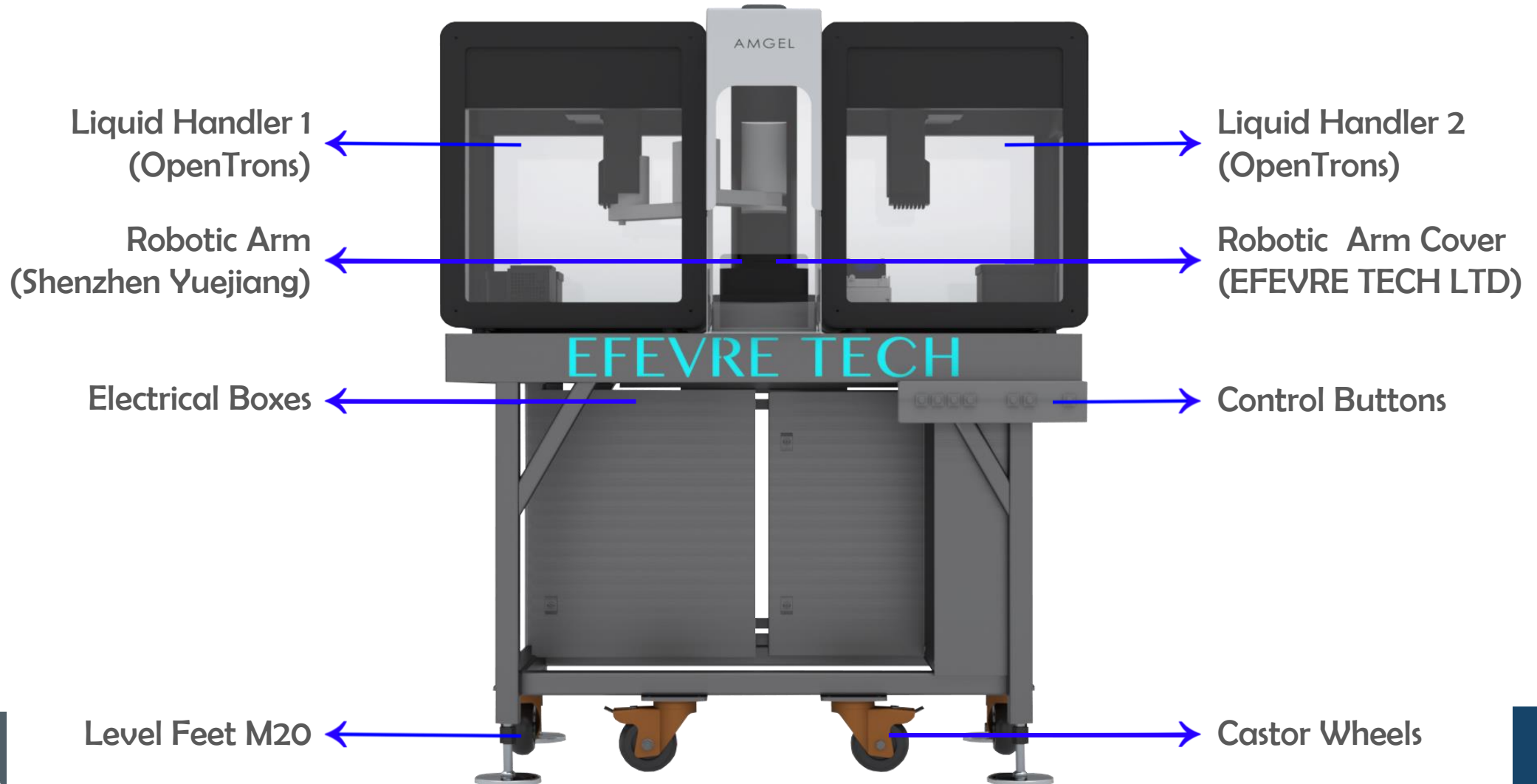


EFEVRE TECH LTDTM

Your necessity, our innovation

THE MVP AMGEL

Automation of Everyday Benchwork in Life-Science Research
AutoMated GENERAL Laboratory (AMGEL Robot)



THE UNDERLYING VALUE

OUR KEY

FEATURES

01

Versatility

for automation of multiple protocols

02

Compact Size

fits in a crowded lab

03

Competitive Price

compared to established brands

04

**Flexible
Configuration**

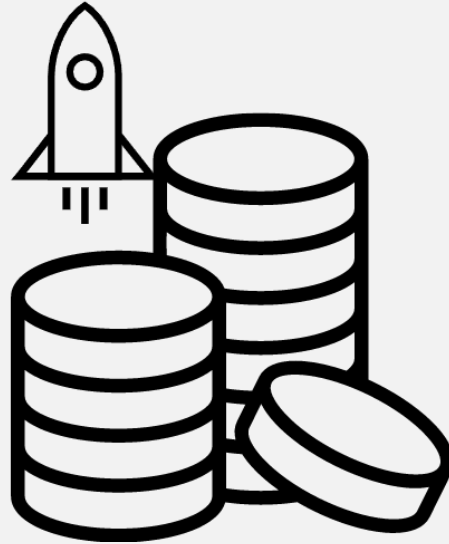
05

User Friendly
for initiating a process
by the push of a button

06

**Maximum Walk
& Away Experience**





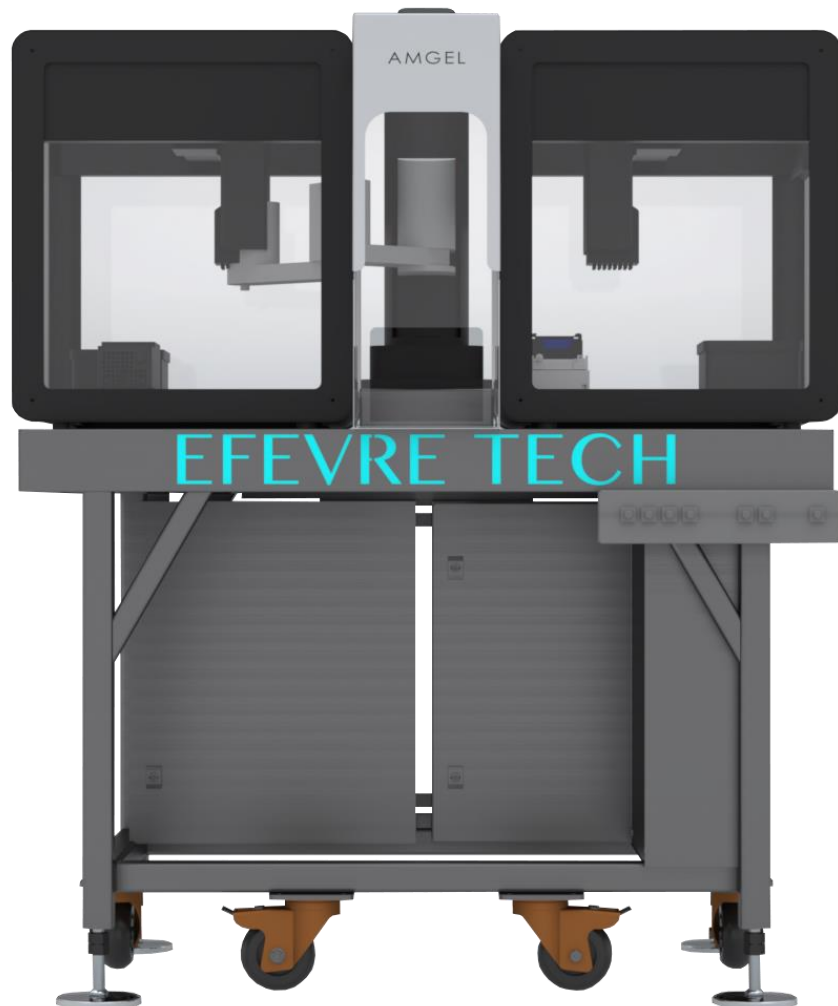
ANGEL-MVP

COMPETITIVE ADVANTAGES

THE AMGEL-MVP VS STARlet by Hamilton

EFEVRE TECH LTD
Your necessity, our innovation

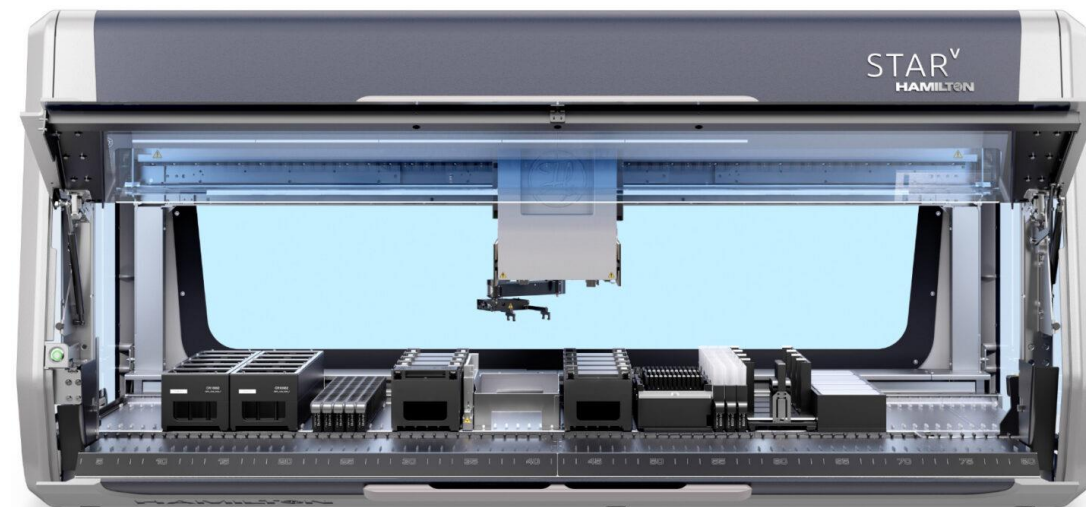
AMGEL-MVP



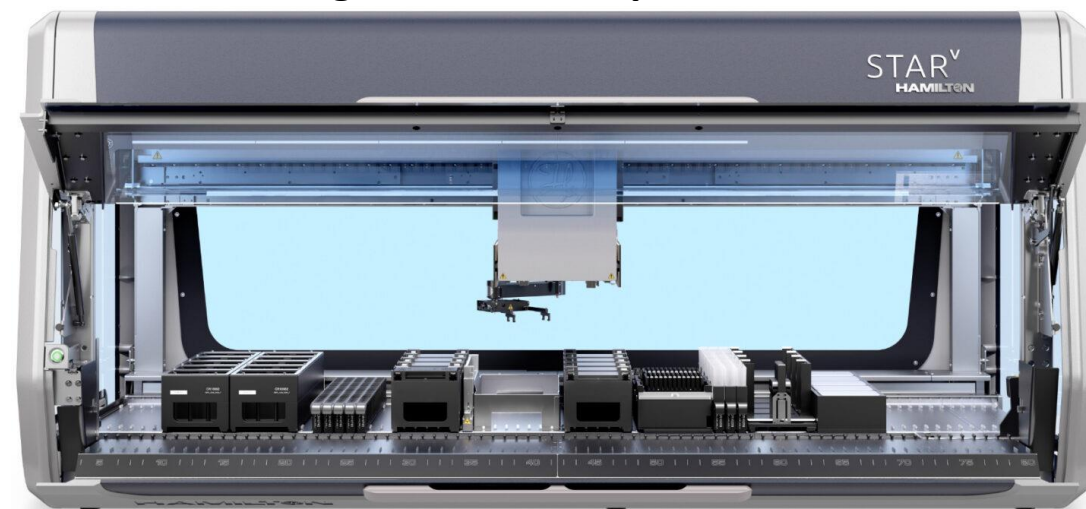
VS

HAMILTON

PCRprep STARlet



MagEx for Clean-ups STARlet

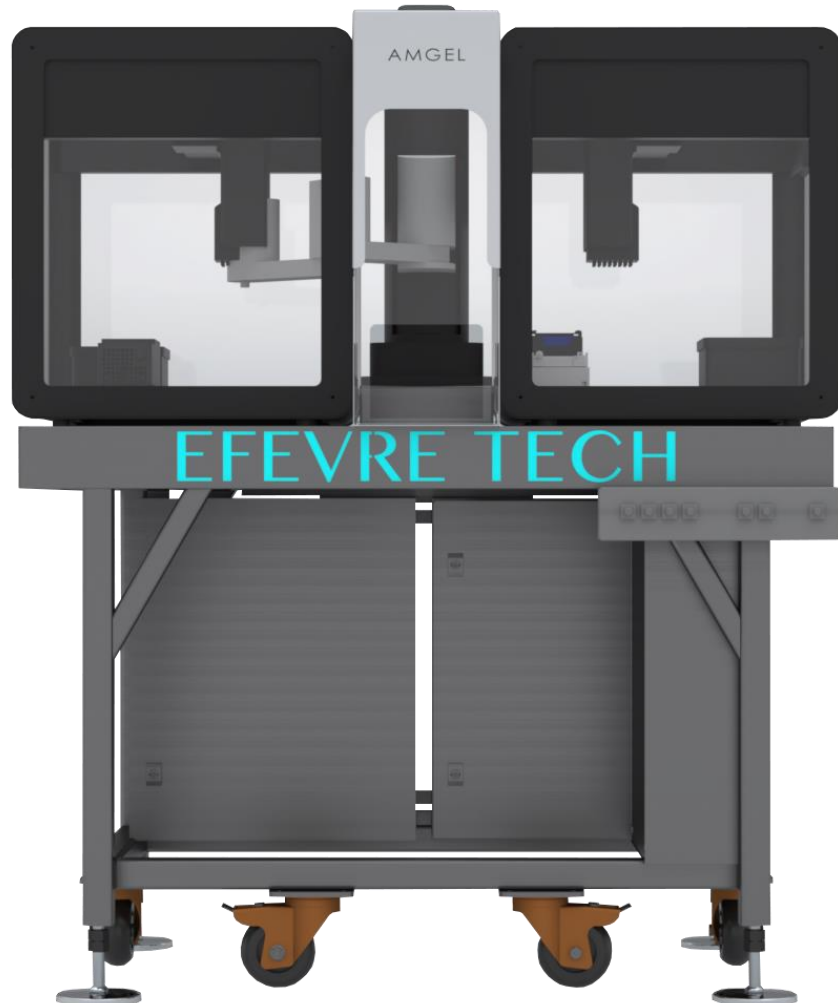


THE AMGEL-MVP COMPETITIVE ADVANTAGE

NGS LIBRARY PREP - USE CASE IN CYPRUS RESEARCH LAB (buyer of AMGEL-MVP)

EFEVRE TECH LTD
Your necessity, our innovation

AMGEL-MVP



THE AUTOMATION SOLUTION: AMGEL

AutoMated General Laboratory



VERSATILITY

Prepare a library of 270 DNA samples

Requires 1 person after training

All in 1 device



HIGH EFFICIENCY

Amplicon PCR

Time Spend in Preparing: 15 minutes

Amplicon PCR Clean-Up

Time Spend: 20 minutes

Index PCR

Time Spend: 45 minutes

Index PCR Clean-Up

Time Spend: 20 minutes



EFEVRE TECH LTD
Your necessity, our innovation

THE STARlet series by Hamilton Robotics

NGS LIBRARY PREP

EXISTING AUTOMATION SYSTEMS

Such as Hamilton STARlet series



SINGLE PROCEDURE RUN

Prepare a library of 270 samples

Requires at least 3 people to be engaged

Requires at least 2 different systems (€ >200K)



Time consuming

Amplicon PCR for 96 samples

Time Spend in Preparing: 60 minutes

Amplicon PCR Clean-Up

Time Spend: 120 – 150 minutes

Index PCR for 96 samples

Time Spend in Preparing: 75 minutes

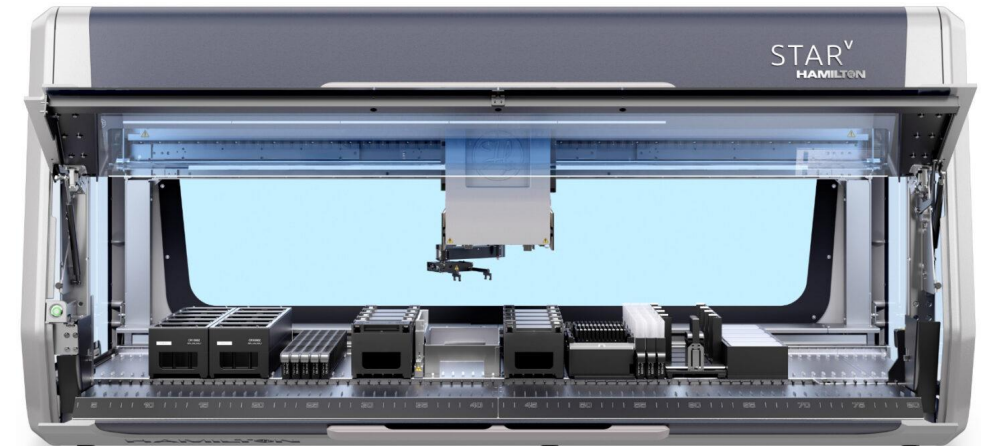
Index PCR Clean-Up

Time Spend: 120 – 150 minutes

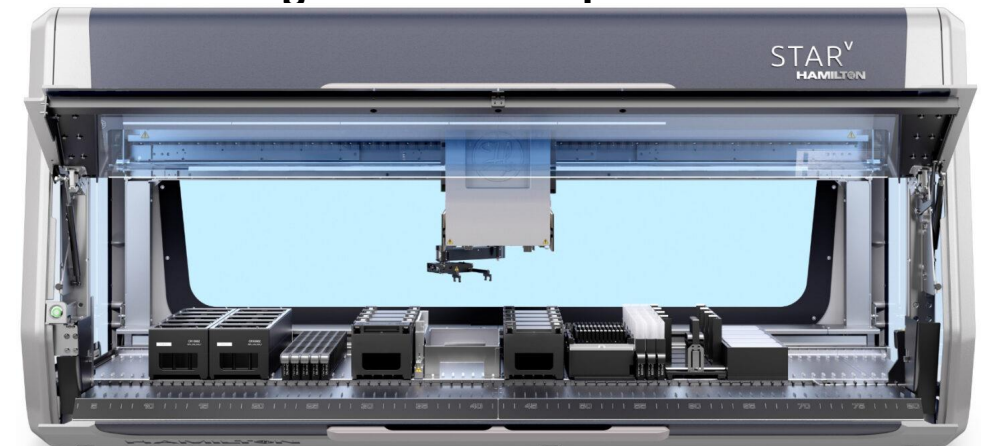
HAMILTON

HAMILTON

PCRprep STARlet



MagEx for Clean-ups STARlet

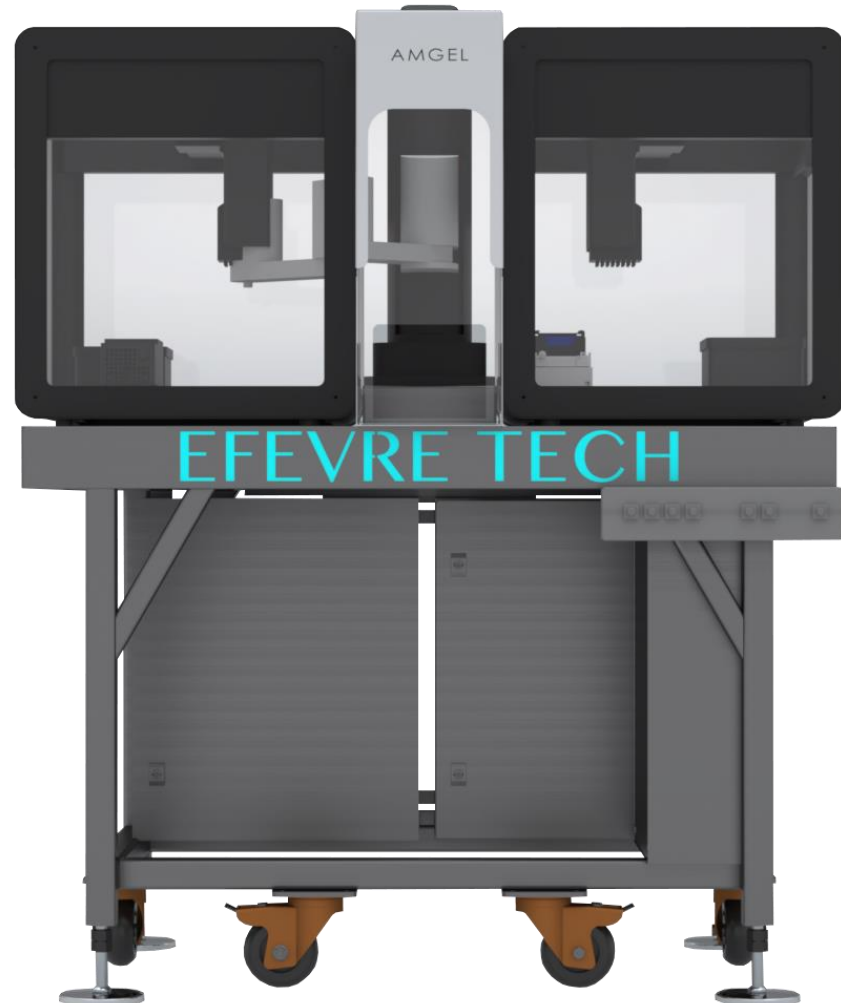


THE AMGEL-MVP COMPETITIVE ADVANTAGE

NGS LIBRARY PREP - USE CASE IN CYPRUS RESEARCH LAB (buyer of AMGEL-MVP)

EFEVRE TECH LTD
Your necessity, our innovation

AMGEL-MVP



THE AUTOMATION SOLUTION: AMGEL

AutoMated General Laboratory

AUTOMATED PROCEDURE AND DURATION



DNA Dilution 1:20

Time Spend in Preparing: 10 minutes



Pico Standards

Time Spend in Preparing: 5 minutes



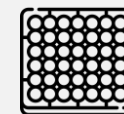
Pico Preparation

Time Spend in Preparing: 10 minutes



Normalization (*2)

Time Spend in Preparing: 1 hour



Pooling plates A-D

Time Spend in Preparing: 2 minutes



EFEVRE TECH LTD
Your necessity, our innovation

THE STARlet series by Hamilton Robotics

NGS LIBRARY PREP

EXISTING AUTOMATION SYSTEMS

Such as Hamilton STARlet series

AUTOMATED PROCEDURE AND DURATION



DNA Dilution 1:20

Available with extra charge



Pico Standards

Not available



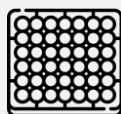
Pico Preparation

Not available



Normalization (*2)

Not available



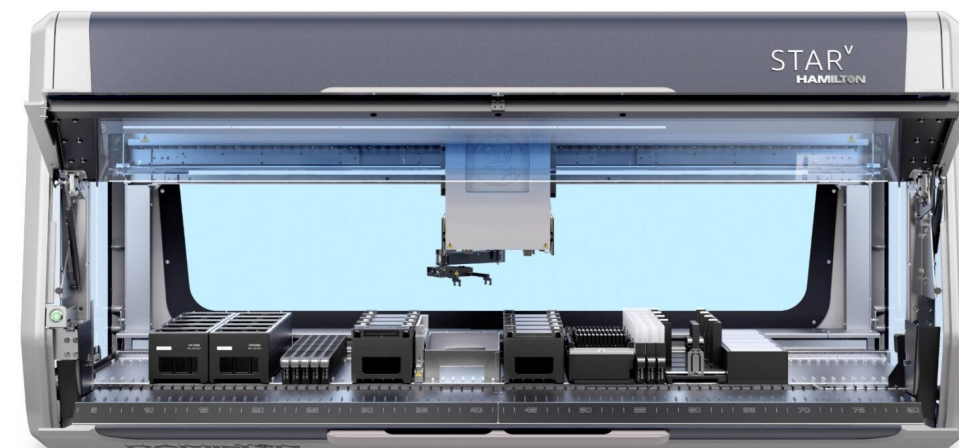
Pooling plates A-D

Time Spend in Preparing: 30 minutes

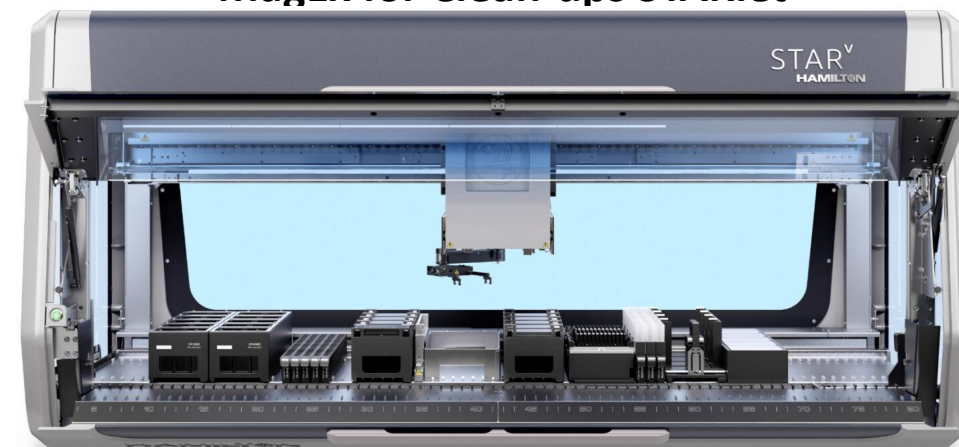
HAMILTON

HAMILTON

PCRprep STARlet



MagEx for Clean-ups STARlet





EFEVRE TECH LTD™
Your necessity, our innovation

FIND US AT



104 Kyklikei Leoforos
6056 Larnaca, Cyprus



www.efevre.com



+357 24 366 277



info@efevretech.com